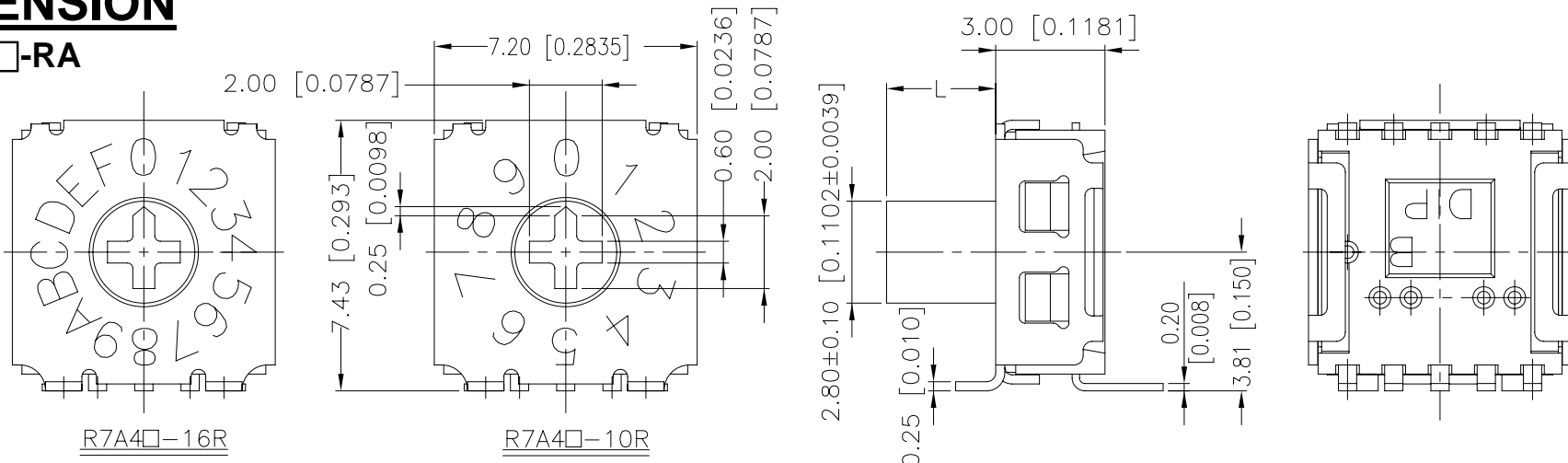


R7 SERIES



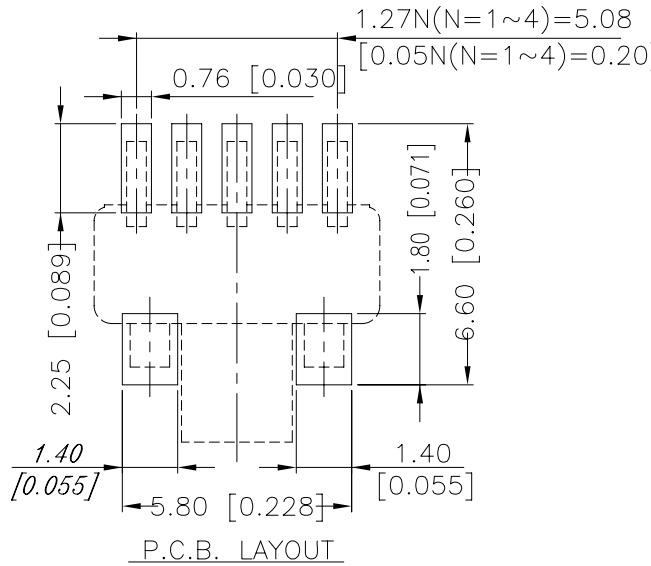
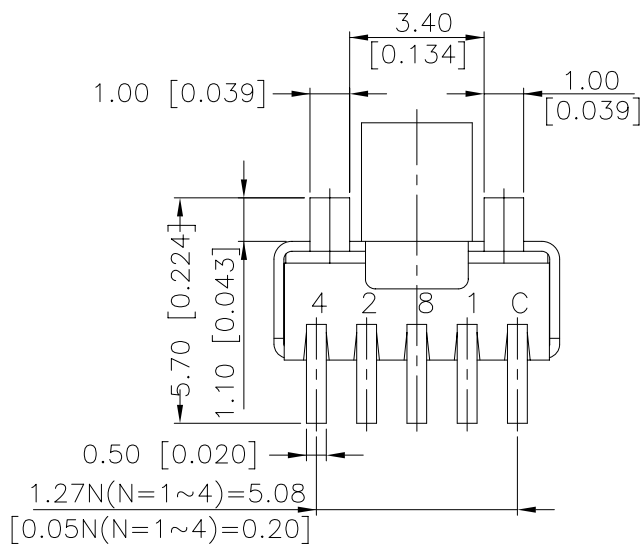
DIMENSION

R7A4□-RA



R7A4□-16R

R7A4□-10R

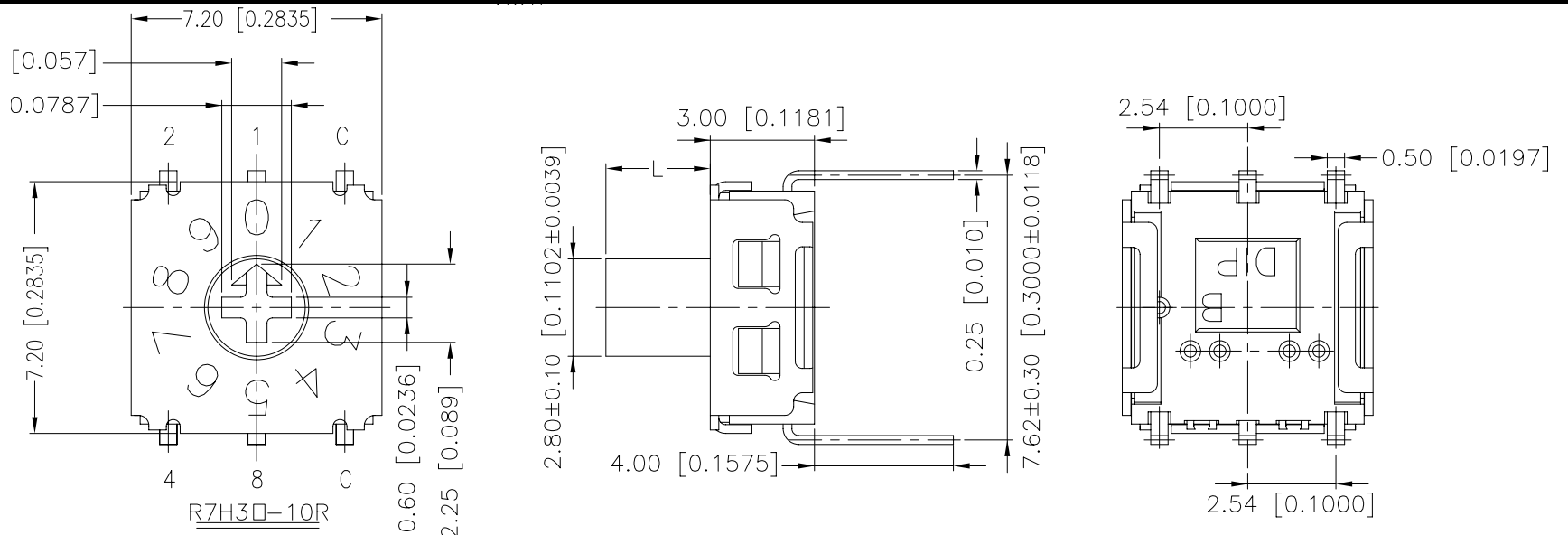


| TYPE | POSITION | CODE | | | |
|---------|----------|------|---|---|---|
| | | 1 | 2 | 4 | 8 |
| 10 STEP | 0 | ● | ● | ● | ● |
| | 1 | ○ | ● | ● | ● |
| | 2 | ● | ○ | ● | ● |
| | 3 | ○ | ○ | ● | ● |
| | 4 | ● | ● | ○ | ● |
| | 5 | ○ | ● | ○ | ● |
| | 6 | ● | ○ | ○ | ● |
| | 7 | ○ | ○ | ○ | ● |
| | 8 | ● | ● | ● | ○ |
| | 9 | ○ | ● | ● | ○ |
| 16 STEP | A | ● | ○ | ● | ○ |
| | B | ○ | ○ | ● | ○ |
| | C | ● | ● | ○ | ○ |
| | D | ○ | ● | ○ | ○ |
| | E | ● | ○ | ○ | ○ |
| | F | ○ | ○ | ○ | ○ |

| NAME | L |
|--------------|---------------|
| R7A4-10RA-V | 0 |
| R7A4-16RA-V | 0 |
| R7A4H-10RA-V | 3.00 [0.1181] |
| R7A4H-16RA-V | 3.00 [0.1181] |

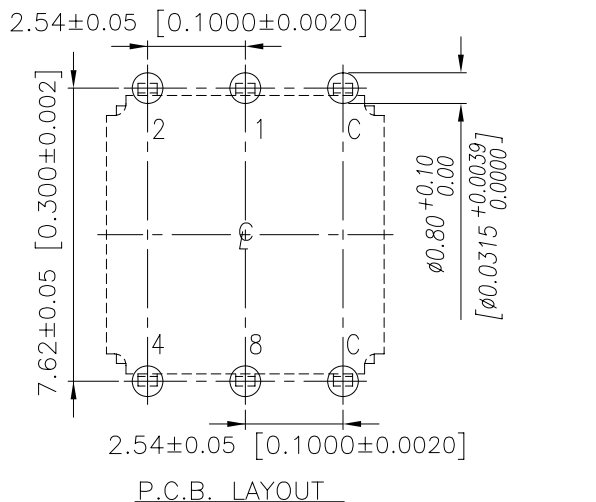
General Tolerance : ±0.2mm

R7H3□-RA



R7H3□-10R

R7H3□-16R

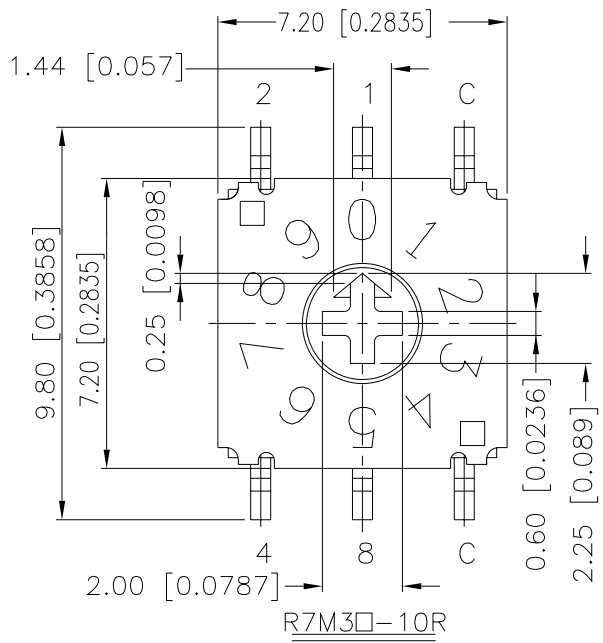


| TYPE | POSITION | CODE | | | |
|---------|----------|------|---|---|---|
| | | 1 | 2 | 4 | 8 |
| 10 STEP | 0 | ● | ● | ● | ● |
| | 1 | ○ | ● | ● | ● |
| | 2 | ● | ○ | ● | ● |
| | 3 | ○ | ○ | ● | ● |
| | 4 | ● | ● | ○ | ● |
| | 5 | ○ | ● | ○ | ● |
| | 6 | ● | ○ | ○ | ● |
| | 7 | ○ | ○ | ○ | ● |
| | 8 | ● | ● | ● | ○ |
| | 9 | ○ | ● | ● | ○ |
| 16 STEP | A | ● | ○ | ● | ○ |
| | B | ○ | ○ | ● | ○ |
| | C | ● | ● | ○ | ○ |
| | D | ○ | ● | ○ | ○ |
| | E | ● | ○ | ○ | ○ |
| | F | ○ | ○ | ○ | ○ |

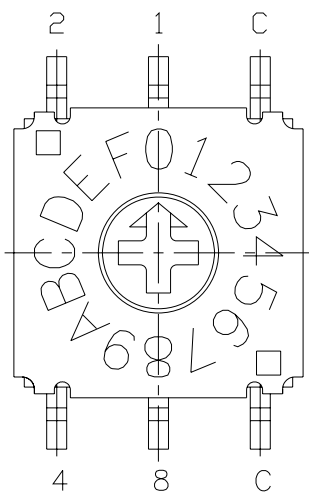
| NAME | L |
|--------------|---------------|
| R7H3-10RA-V | 0 |
| R7H3-16RA-V | 0 |
| R7H3H-10RA-V | 3.00 [0.1181] |
| R7H3H-16RA-V | 3.00 [0.1181] |

General Tolerance : ±0.2mm

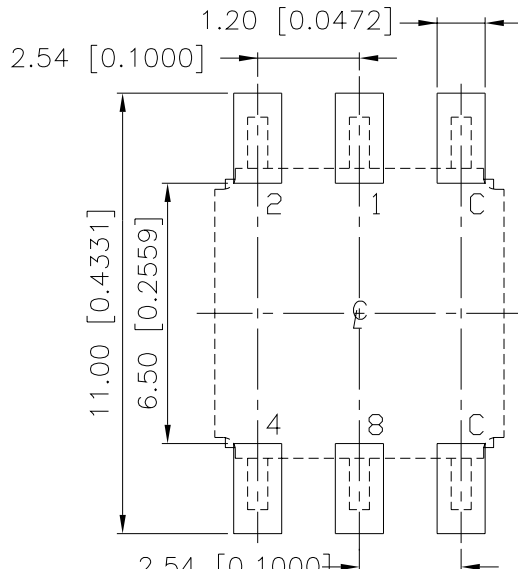
R7M3-RA



R7M3□-10R



R7M3□-16R



P.C.B. LAYOUT

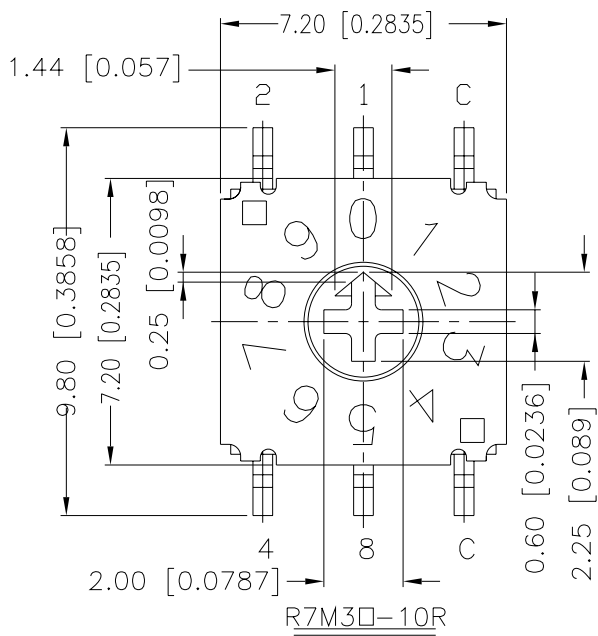
| TYPE | POSITION □□R | CODE | | | |
|---------|-----------------|------|---|---|---|
| | | 1 | 2 | 4 | 8 |
| 10 STEP | 0 | ● | ● | ● | ● |
| | 1 | ○ | ● | ● | ● |
| | 2 | ● | ○ | ● | ● |
| | 3 | ○ | ○ | ● | ● |
| | 4 | ● | ● | ○ | ● |
| | 5 | ○ | ● | ○ | ● |
| | 6 | ● | ○ | ○ | ● |
| | 7 | ○ | ○ | ○ | ● |
| | 8 | ● | ● | ● | ○ |
| | 9 | ○ | ● | ● | ○ |
| 16 STEP | A | ● | ○ | ● | ○ |
| | B | ○ | ○ | ● | ○ |
| | C | ● | ● | ○ | ○ |
| | D | ○ | ● | ○ | ○ |
| | E | ● | ○ | ○ | ○ |
| | F | ○ | ○ | ○ | ○ |

CIRCUIT CHART

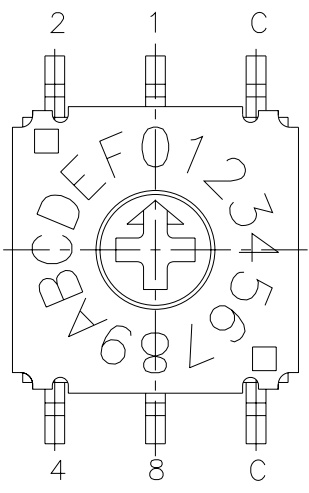
| NAME | L |
|--------------|--------------|
| R7M3-10RA-V | 0 |
| R7M3-16RA-V | 0 |
| R7M3H-10RA-V | 3.00[0.1181] |
| R7M3H-16RA-V | 3.00[0.1181] |

General Tolerance : ±0.2mm

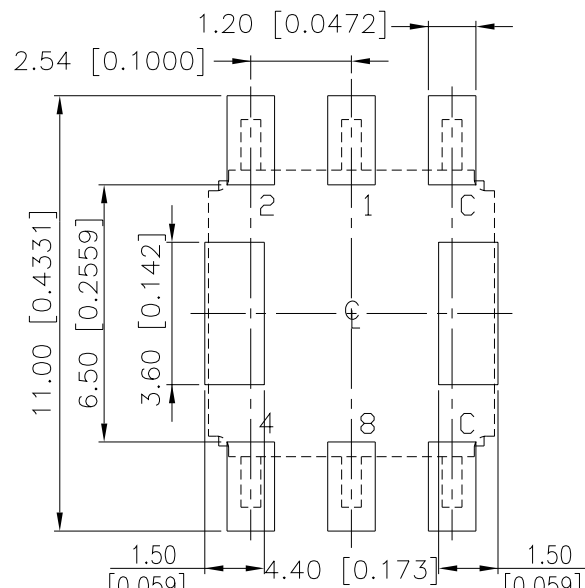
R7M3-RAG



R7M3□-10R



R7M3□-16R



P.C.B. LAYOUT

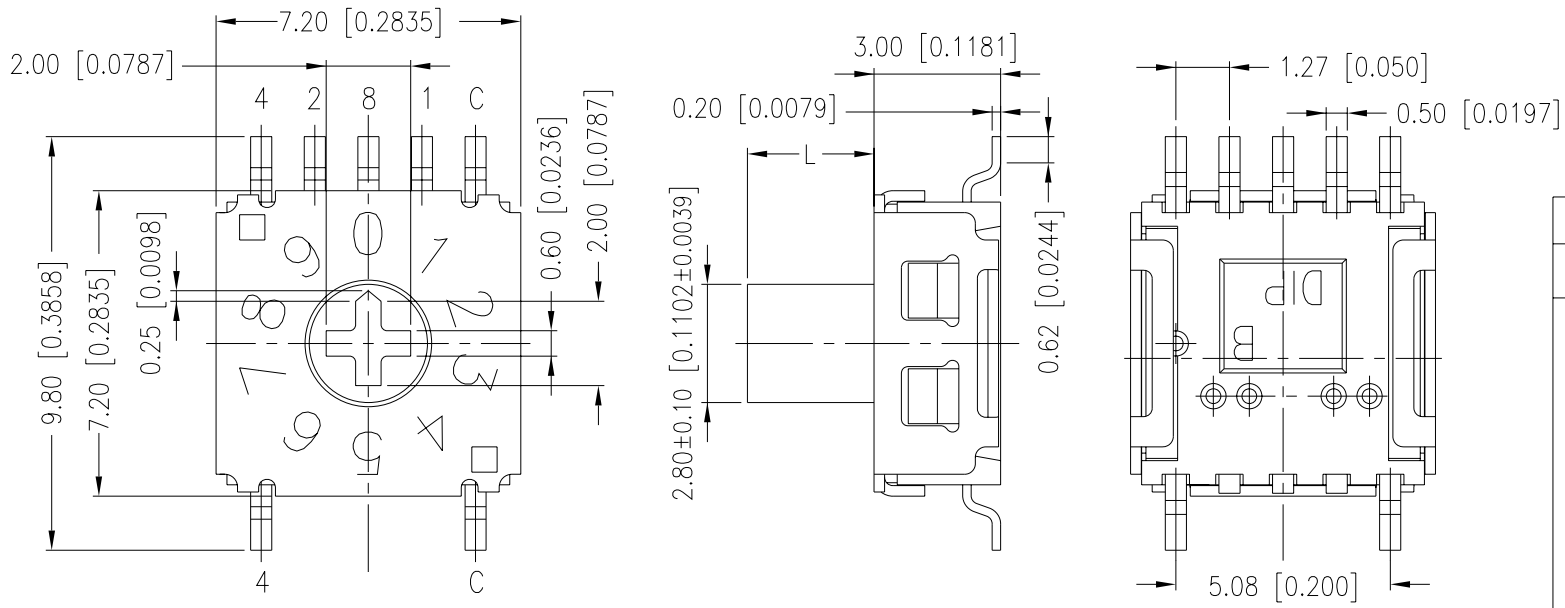
| TYPE | POSITION □□R | CODE | | | |
|---------|-----------------|------|---|---|---|
| | | 1 | 2 | 4 | 8 |
| 10 STEP | 0 | ● | ● | ● | ● |
| | 1 | ○ | ● | ● | ● |
| | 2 | ● | ○ | ● | ● |
| | 3 | ○ | ○ | ● | ● |
| | 4 | ● | ● | ○ | ● |
| | 5 | ○ | ● | ○ | ● |
| | 6 | ● | ○ | ○ | ● |
| | 7 | ○ | ○ | ○ | ● |
| | 8 | ○ | ● | ● | ○ |
| | 9 | ○ | ● | ● | ○ |
| 16 STEP | A | ● | ○ | ● | ○ |
| | B | ○ | ○ | ● | ○ |
| | C | ○ | ● | ○ | ○ |
| | D | ○ | ● | ○ | ○ |
| | E | ● | ○ | ○ | ○ |
| | F | ○ | ○ | ○ | ○ |

CIRCUIT CHART

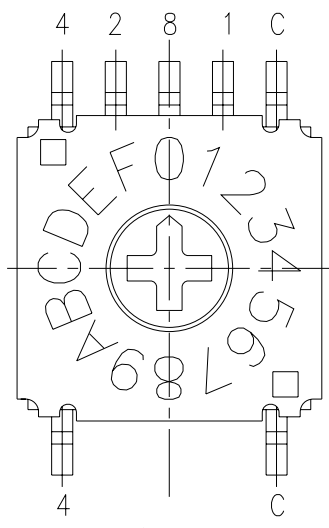
| NAME | L |
|---------------|---------------|
| R7M3-10RAG-V | 0 |
| R7M3-16RAG-V | 0 |
| R7M3H-10RAG-V | 3.00 [0.1181] |
| R7M3H-16RAG-V | 3.00 [0.1181] |

General Tolerance : ±0.2mm

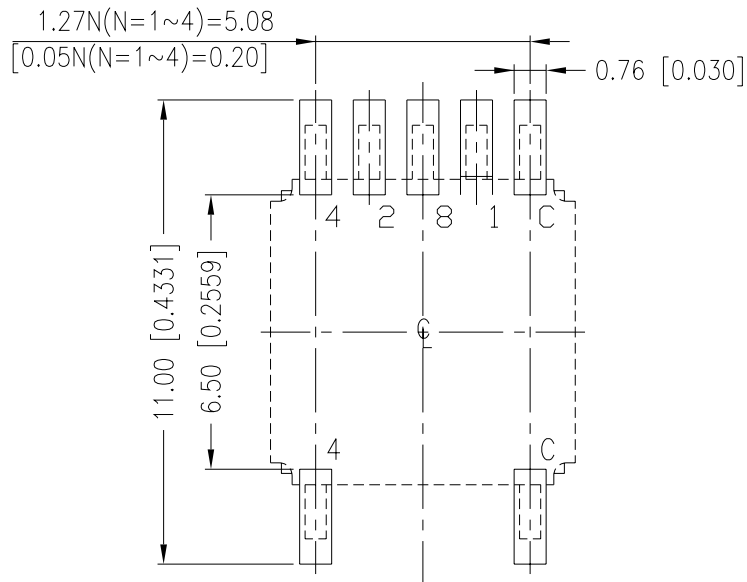
R7M4-RA



R7M4□-10R



R7M4□-16R



P.C.B. LAYOUT

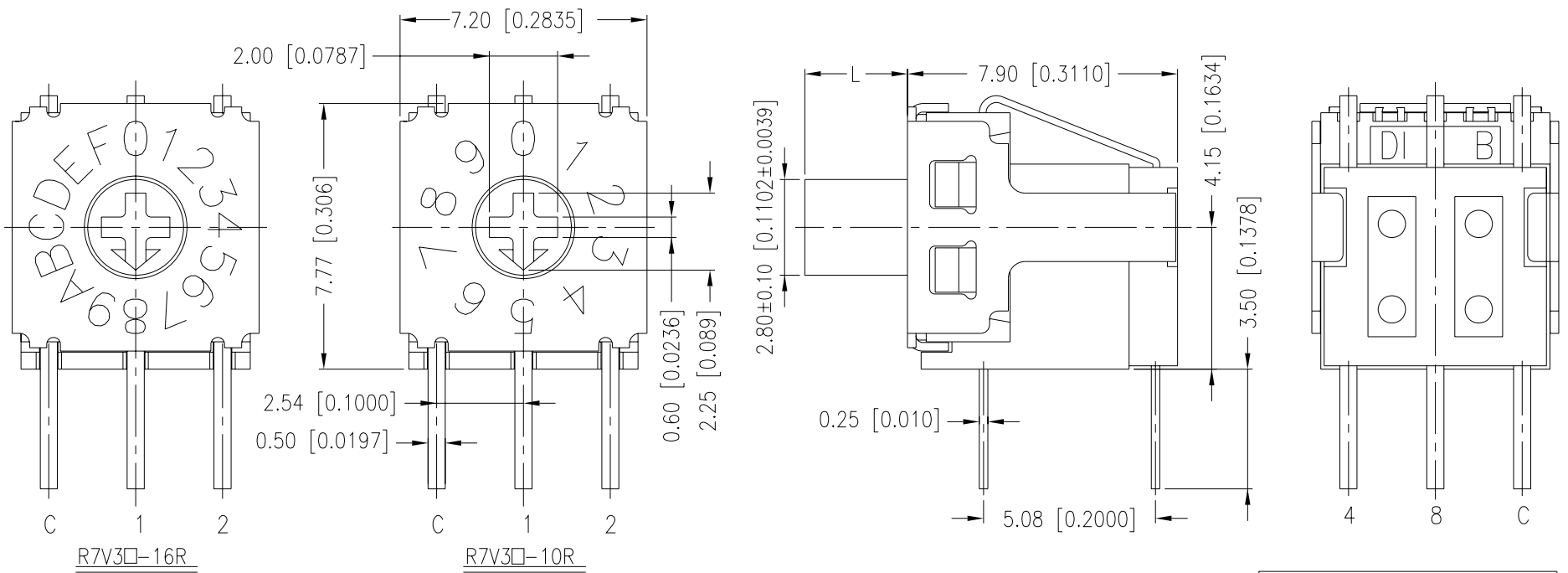
| TYPE | POSITION □□R | CODE | | | |
|---------|-----------------|------|---|---|---|
| | | 1 | 2 | 4 | 8 |
| 10 STEP | 0 | ● | ● | ● | ● |
| | 1 | ○ | ● | ● | ● |
| | 2 | ● | ○ | ● | ● |
| | 3 | ○ | ○ | ● | ● |
| | 4 | ● | ● | ○ | ● |
| | 5 | ○ | ● | ○ | ● |
| | 6 | ● | ○ | ○ | ● |
| | 7 | ○ | ○ | ○ | ● |
| | 8 | ○ | ○ | ● | ○ |
| | 9 | ○ | ● | ● | ○ |
| 16 STEP | A | ● | ○ | ● | ○ |
| | B | ○ | ○ | ● | ○ |
| | C | ● | ● | ○ | ○ |
| | D | ○ | ● | ○ | ○ |
| | E | ● | ○ | ○ | ○ |
| | F | ○ | ○ | ○ | ○ |

CIRCUIT CHART

| NAME | L |
|--------------|---------------|
| R7M4-10RA-V | 0 |
| R7M4-16RA-V | 0 |
| R7M4H-10RA-V | 3.00 [0.1181] |
| R7M4H-16RA-V | 3.00 [0.1181] |

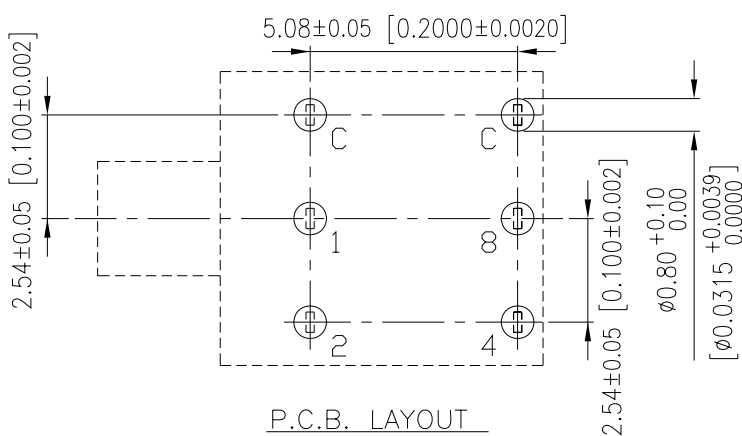
General Tolerance : ±0.2mm

R7V3-RA



R7V3□-16R

R7V3□-10R



P.C.B. LAYOUT

| NAME | L |
|--------------|---------------|
| R7V3-10RA-V | 0 |
| R7V3-16RA-V | 0 |
| R7V3H-10RA-V | 3.00 [0.1181] |
| R7V3H-16RA-V | 3.00 [0.1181] |

| TYPE | POSITION □□R | CODE | | | |
|---------|-----------------|------|---|---|---|
| | | 1 | 2 | 4 | 8 |
| 10 STEP | 0 | ● | ● | ● | ● |
| | 1 | ○ | ● | ● | ● |
| | 2 | ● | ○ | ● | ● |
| | 3 | ○ | ○ | ● | ● |
| | 4 | ● | ● | ○ | ● |
| | 5 | ○ | ● | ○ | ● |
| | 6 | ● | ○ | ○ | ● |
| | 7 | ○ | ○ | ○ | ● |
| | 8 | ● | ● | ● | ○ |
| | 9 | ○ | ● | ● | ○ |
| 16 STEP | A | ● | ○ | ● | ○ |
| | B | ○ | ○ | ● | ○ |
| | C | ● | ● | ○ | ○ |
| | D | ○ | ○ | ○ | ○ |
| | E | ● | ○ | ○ | ○ |
| | F | ○ | ○ | ○ | ○ |

CIRCUIT CHART

General Tolerance : ±0.2mm

HOW TO ORDER

R 7 □ □ □ - □ □ R □ □ - □ - □

Package :

B = Tube

T/R = Tape & Reel

Soldering :

V = Lead Free Solderable

Q = Halogen Free

□ = Without Ground Terminal

G = With Ground Terminal (S.M.T Only)

A = Cross-head Actuator

B = Flat-head Actuator

R = Real Codes.

Number Of Steps :

10 = 10 Steps

16 = 16 Steps

Actuator Type :

□ = Recessed Actuator

H = High Actuator (3.0mm)

Number Of Terminals :

3 = 3x3

4 = 4x1

Termination Type :

M = S.M.T

H = Through Hole

V = Right Angle

A = S.M.T Right Angle(4x1 Only)

Rotary Type 7x7

SPECIFICATION

△MECHANICAL

Mechanical Life : 20,000 Steps
Operation Force : 200gf-cm max

△ENVIRONMENTAL

Operation Temperature Range : -30°C to +80°C
Storage Temperature Range : -40°C to +85°C

△ELECTRICAL

Electrical Life: 20,000 Steps
Switching Rating: 25 mA, 24 VDC

MATERIAL

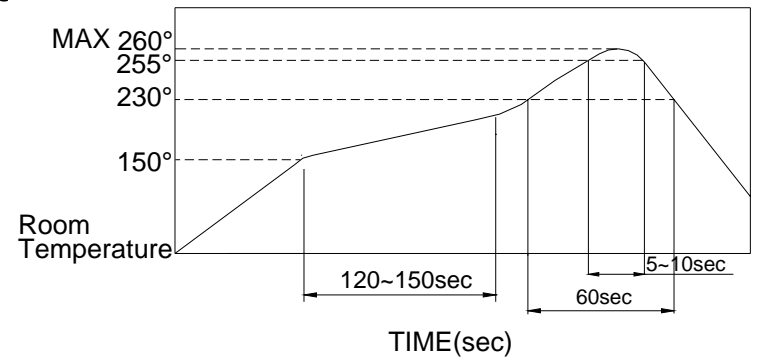
△COVER : Nickel silver
△SEAL-1 : Silicone rubber
Color : Black, Square
△SEAL-2 : Silicone rubber
Color : Black, Round
△ACTUATOR : UL 94V-0 High-temp Thermoplastic
△BLOCK : Stainless steel
△CONTACT : Alloy copper
△SPRING PLATE : Piano wire
△BASE : UL 94V-0 High-temp Thermoplastic
Color : Black
△TERMINAL : Brass with gold plated

SOLDERING PROCESS

△HAND SOLDERING : Us a soldering iron of 30 watts, controlled at 350°C approximately 5 seconds while applying solder.

△REFLOW SOLDERING : When applying reflow soldering, the peak temperature or the reflow over should be set to 260°C max.

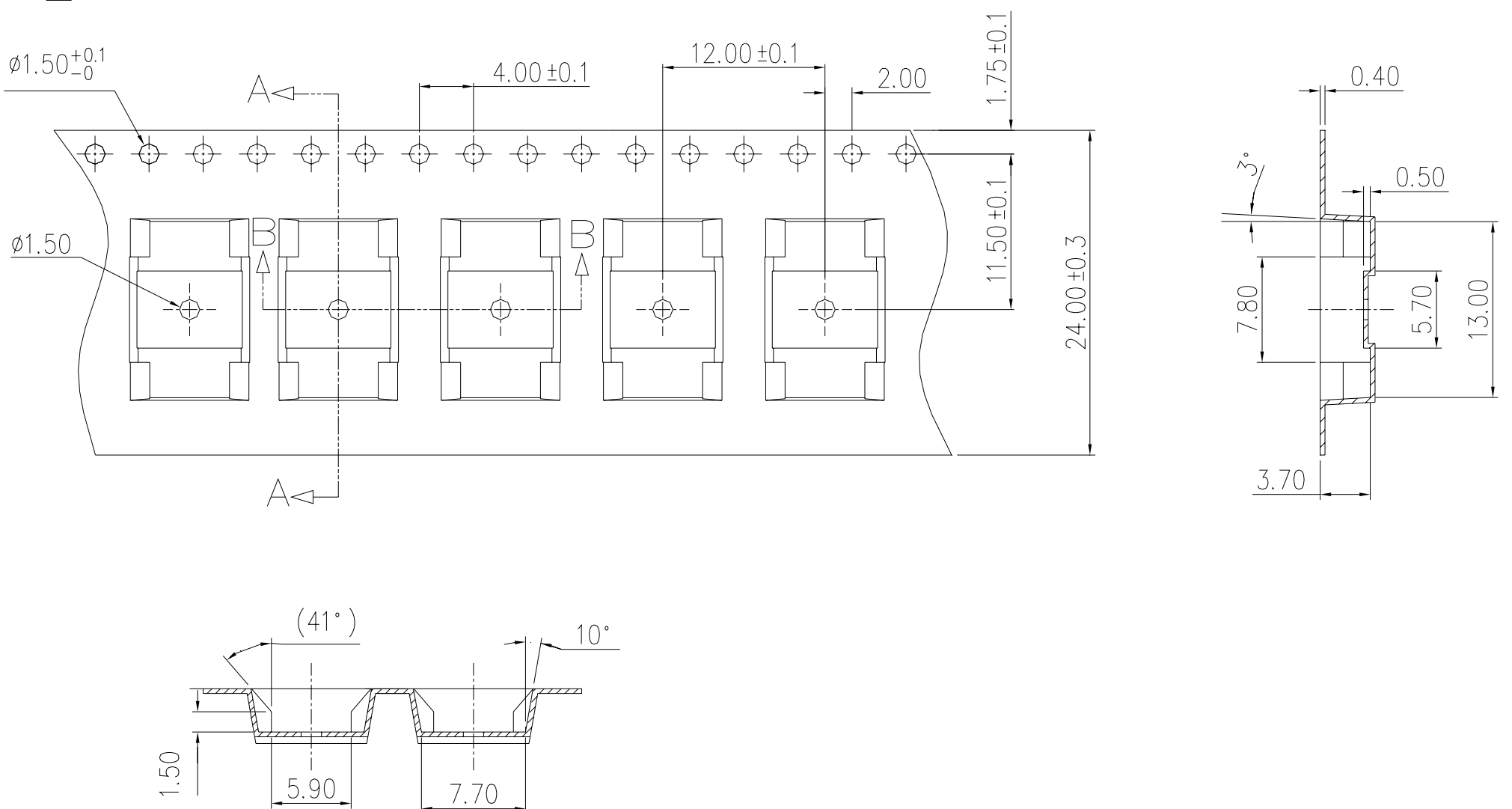
△Temperature Profile :



PACKING

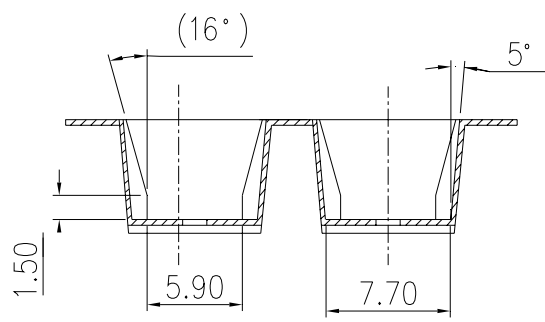
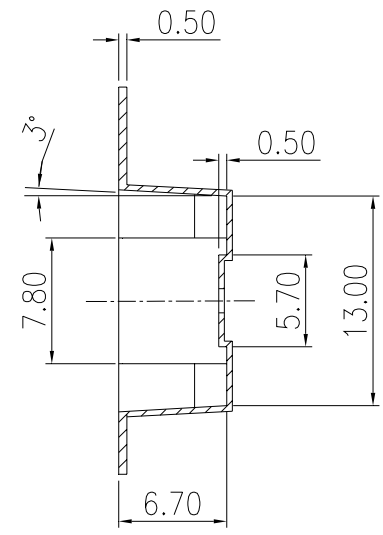
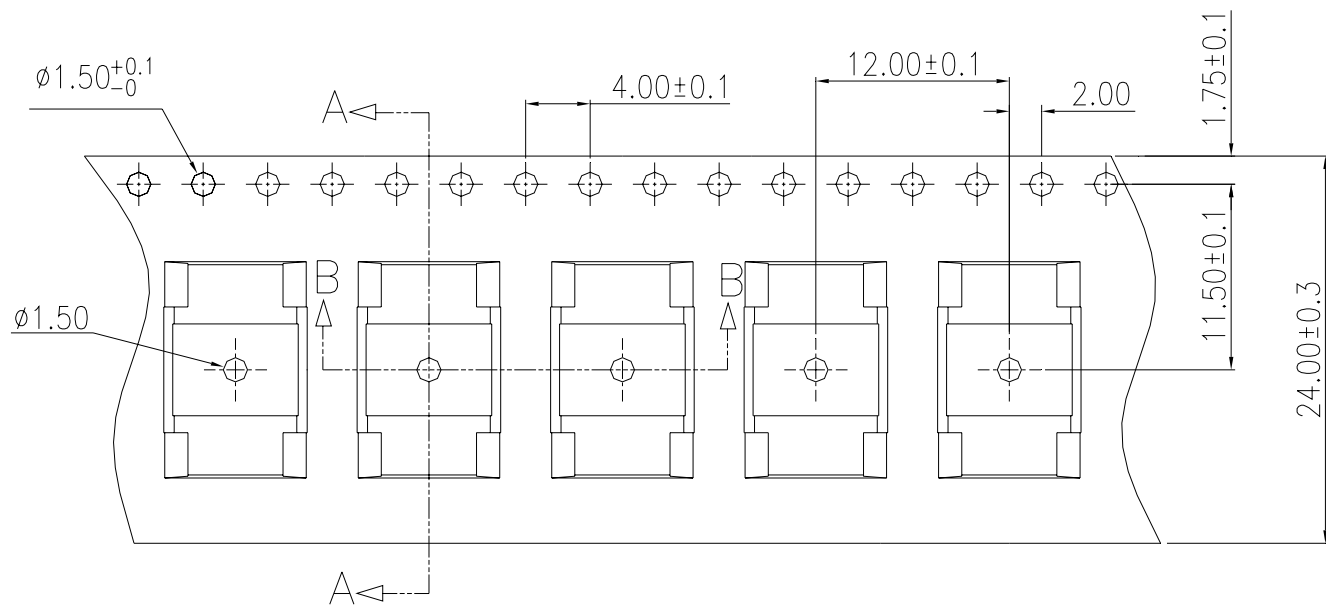
| Part Number | Number Per TUBE | Number Per REEL |
|-------------|-----------------|-----------------|
| R7M□ | — | 1450 |
| R7M□H | — | 850 |
| R7A | — | 750 |
| R7A4H | — | 750 |
| R7V□ | 63 | — |
| R7V□H | 63 | — |
| R7M□ | 65 | — |
| R7M□H | 65 | — |
| R7H□ | 65 | — |
| R4H□H | 65 | — |

R7M□ REEL



General Tolerance: ±0.1mm

R7M□H REEL

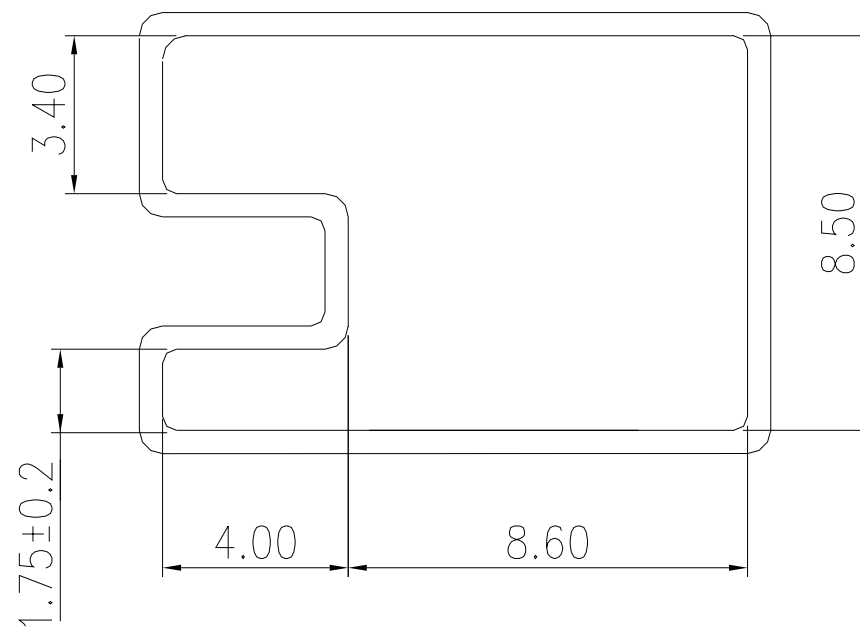


SECTION A-A

SECTION B-B

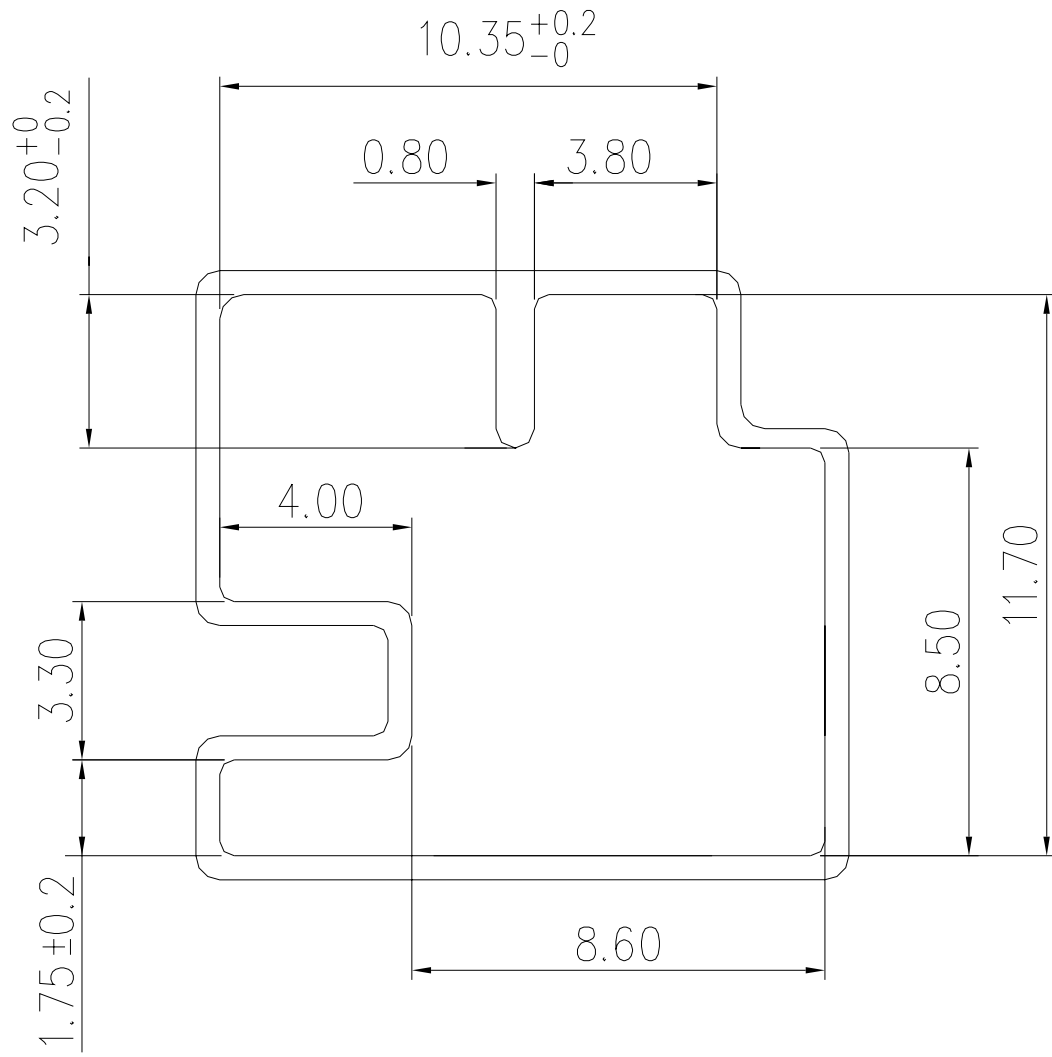
General Tolerance: ± 0.1 mm

R7V□ TUBE



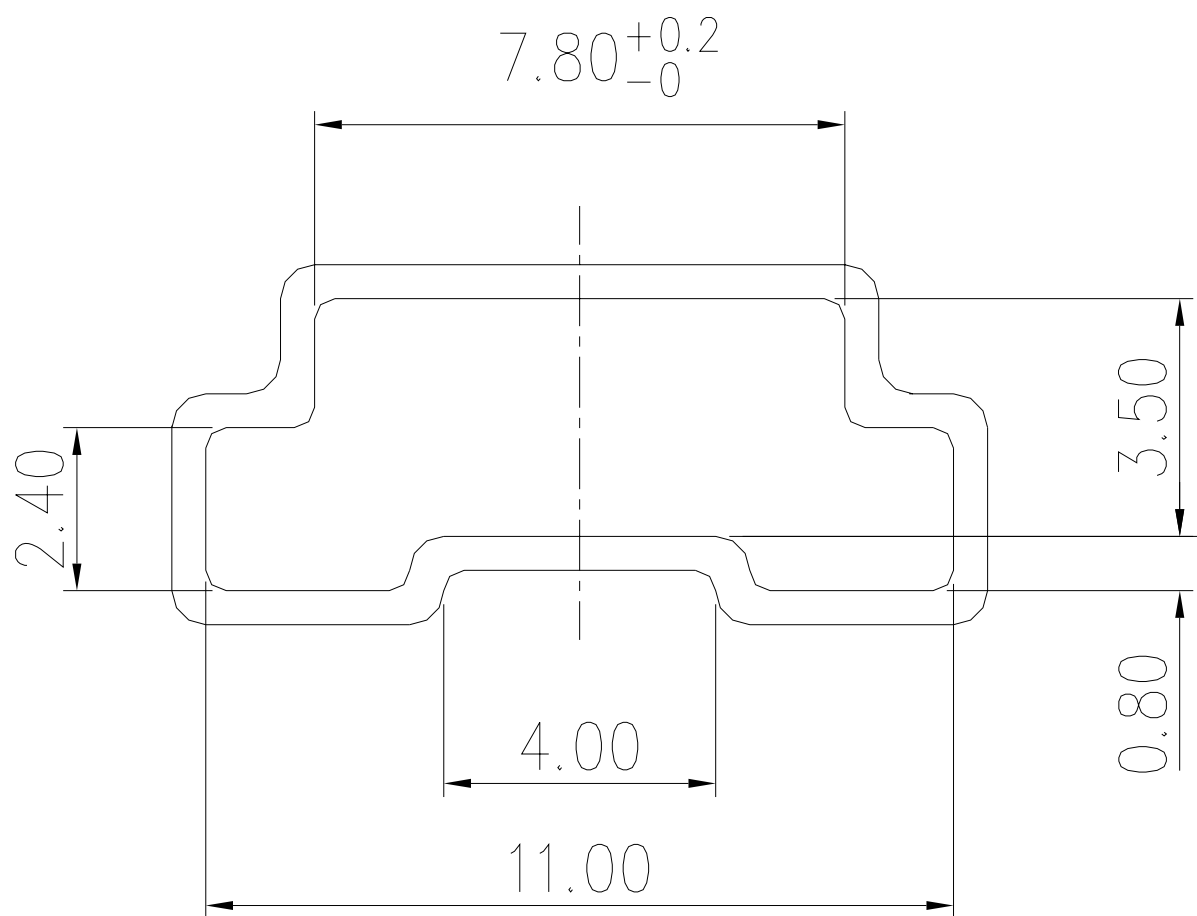
General Tolerance: ± 0.2 mm (± 0.008 ")

R7V □ H TUBE



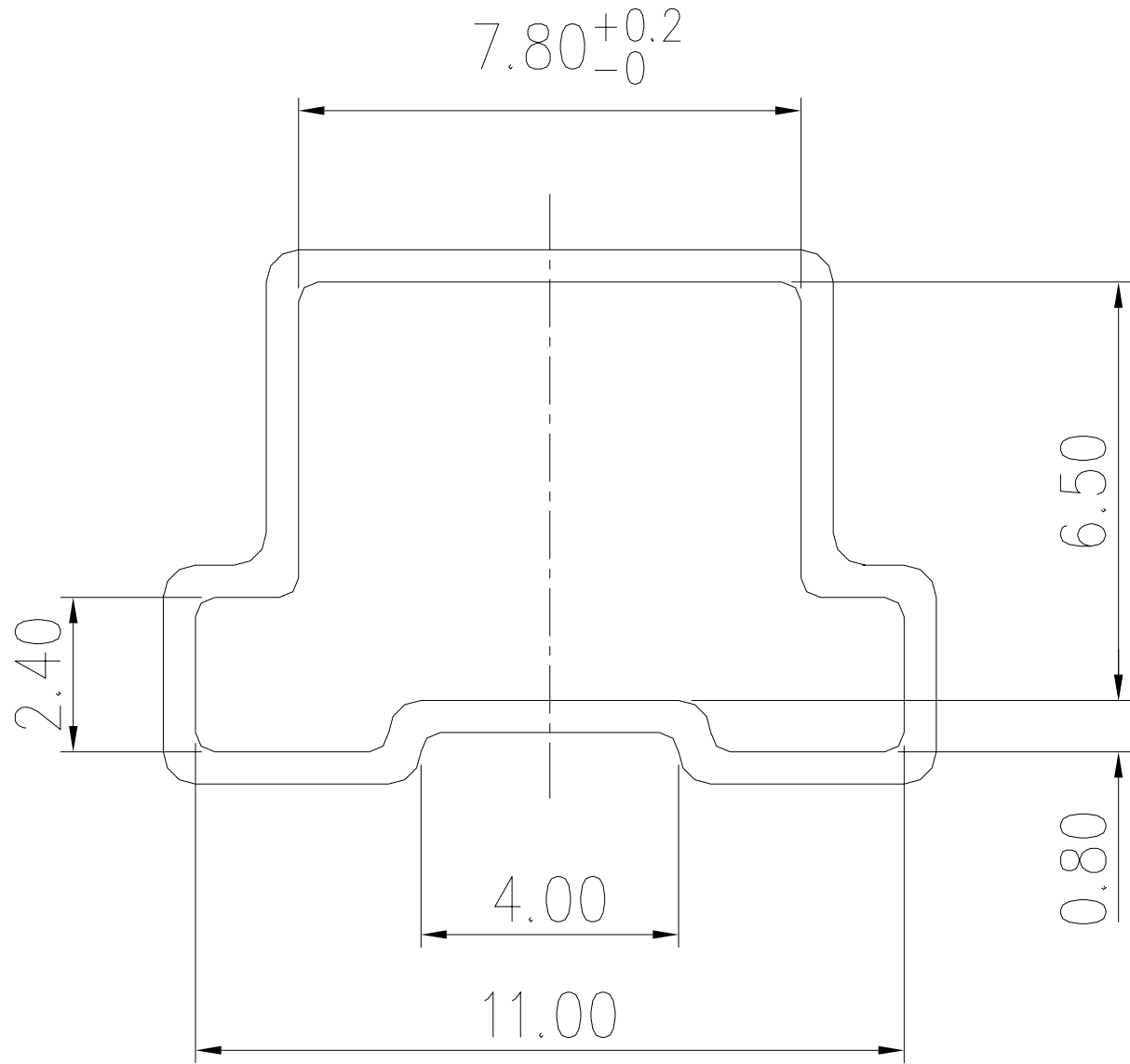
General Tolerance: $\pm 0.2\text{mm} (\pm 0.008\text{'})$

R7M □ TUBE



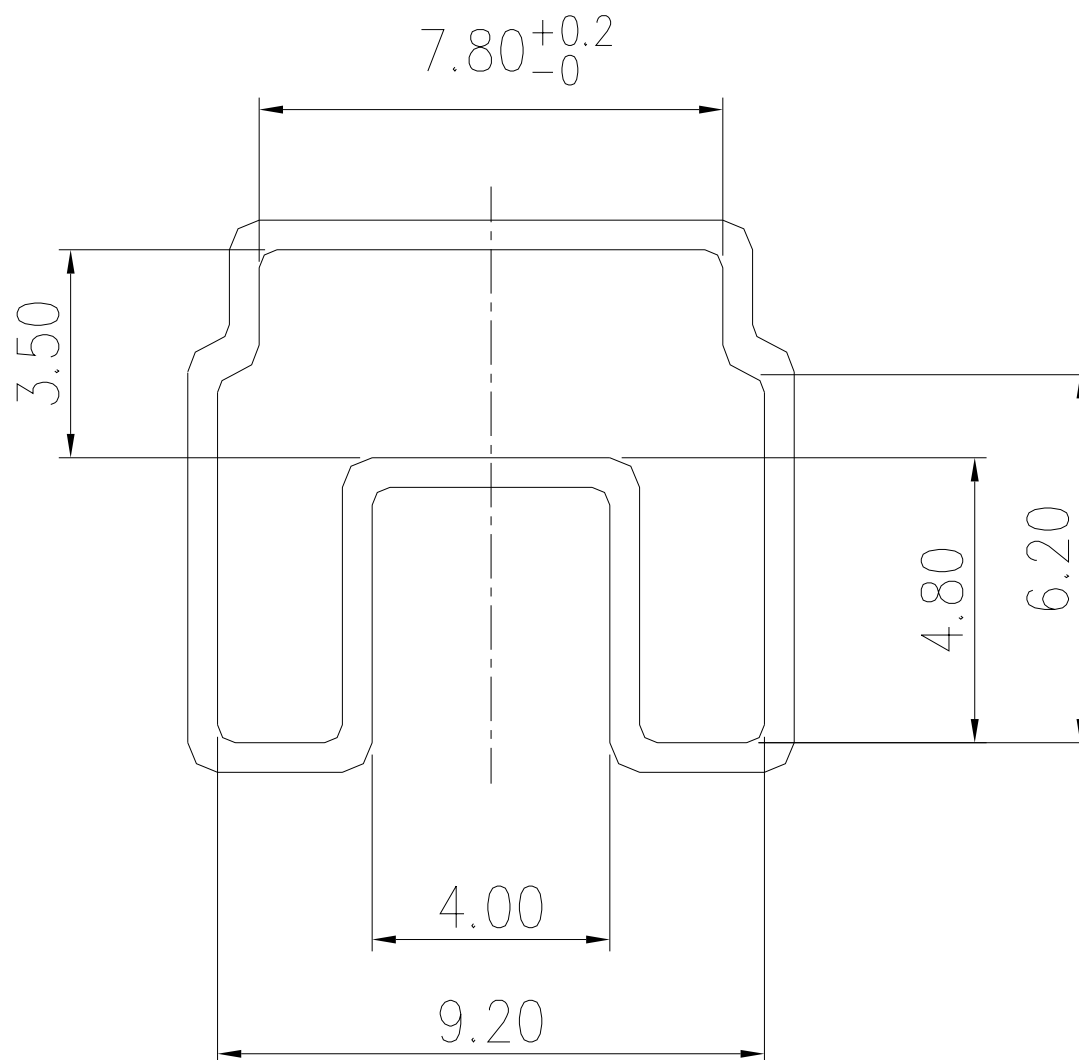
General Tolerance: $\pm 0.2\text{mm} (\pm 0.008\text{'})$

R7M□H TUBE



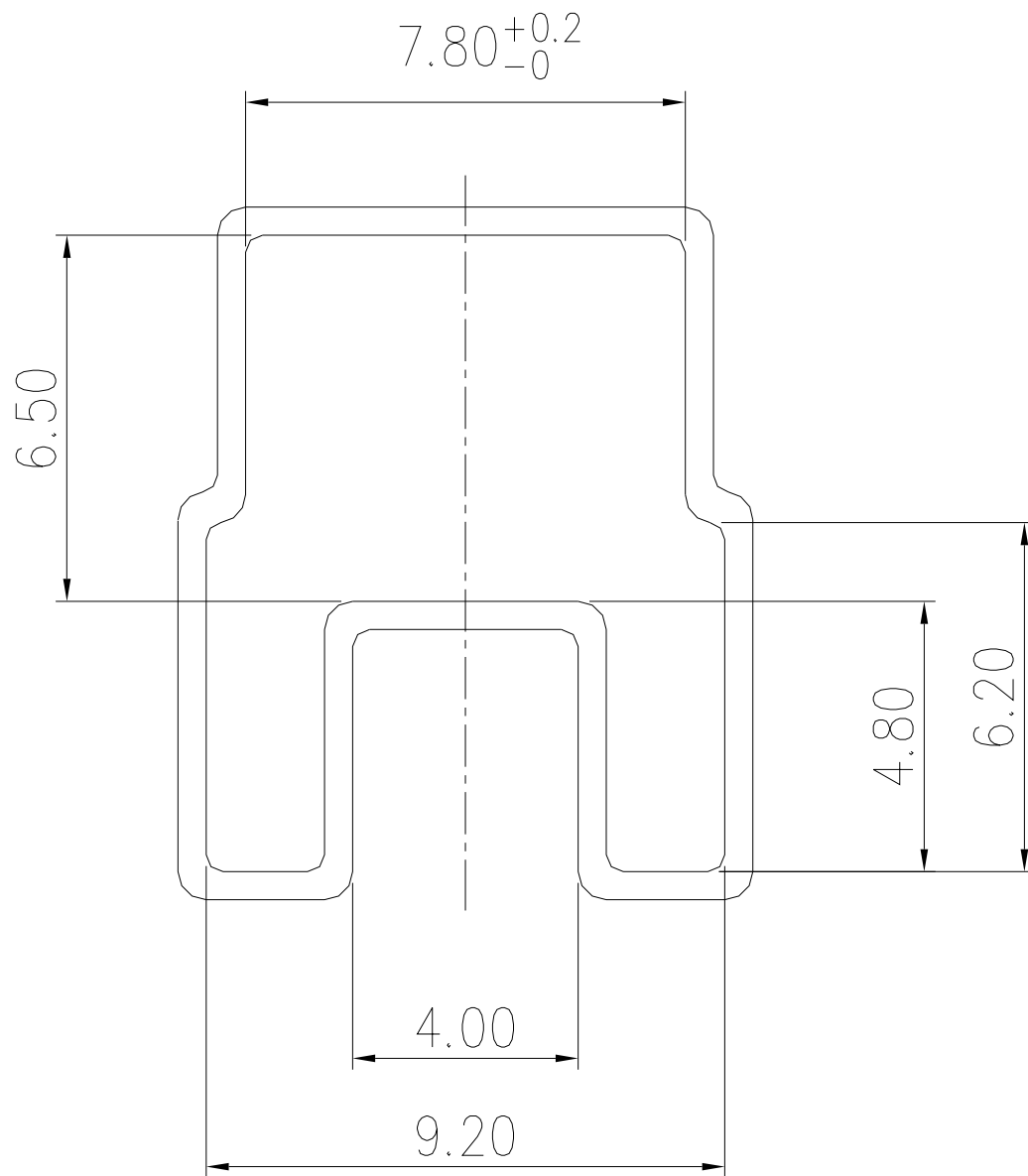
General Tolerance: ±0.2mm(±0.008")

R7H□ TUBE



General Tolerance: ±0.2mm(±0.008")

R7H□H TUBE



General Tolerance: $\pm 0.2\text{mm} (\pm 0.008")$