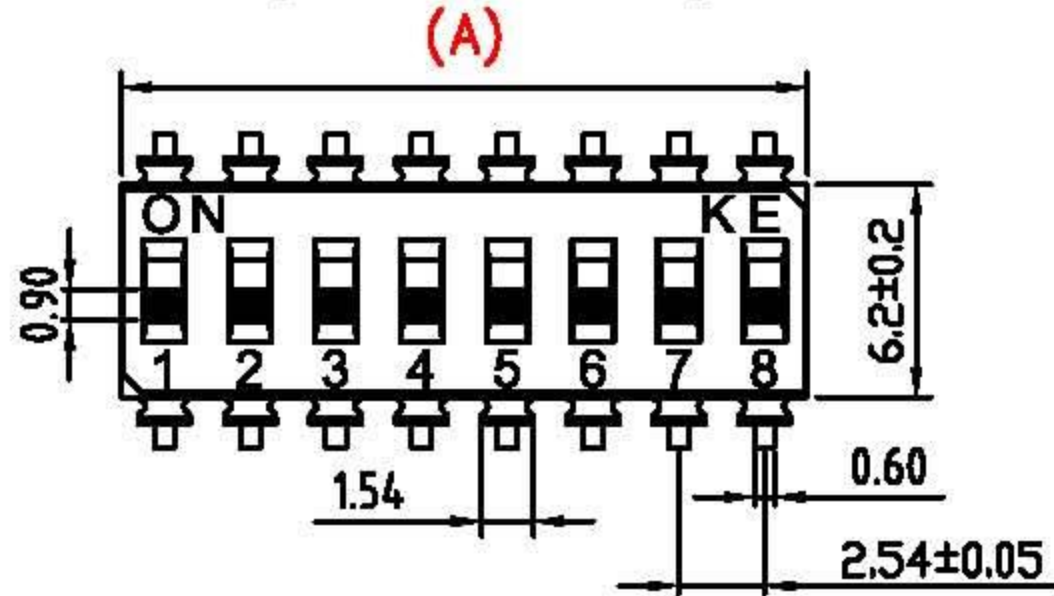


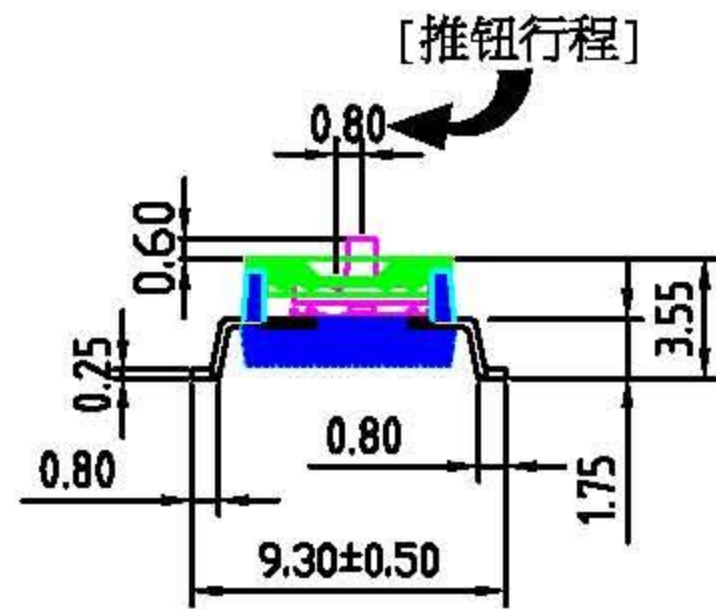
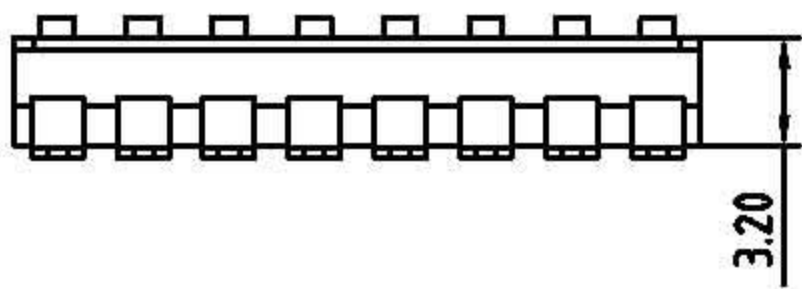
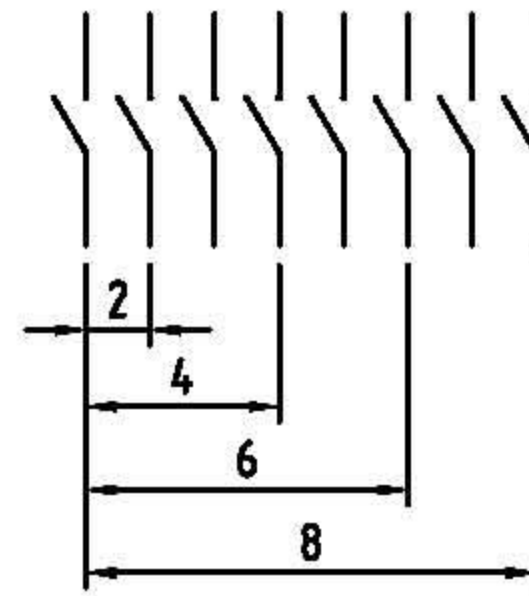
ROHS compliant

版本 VER	修改内容 ALTERATION	更新日期 DATE

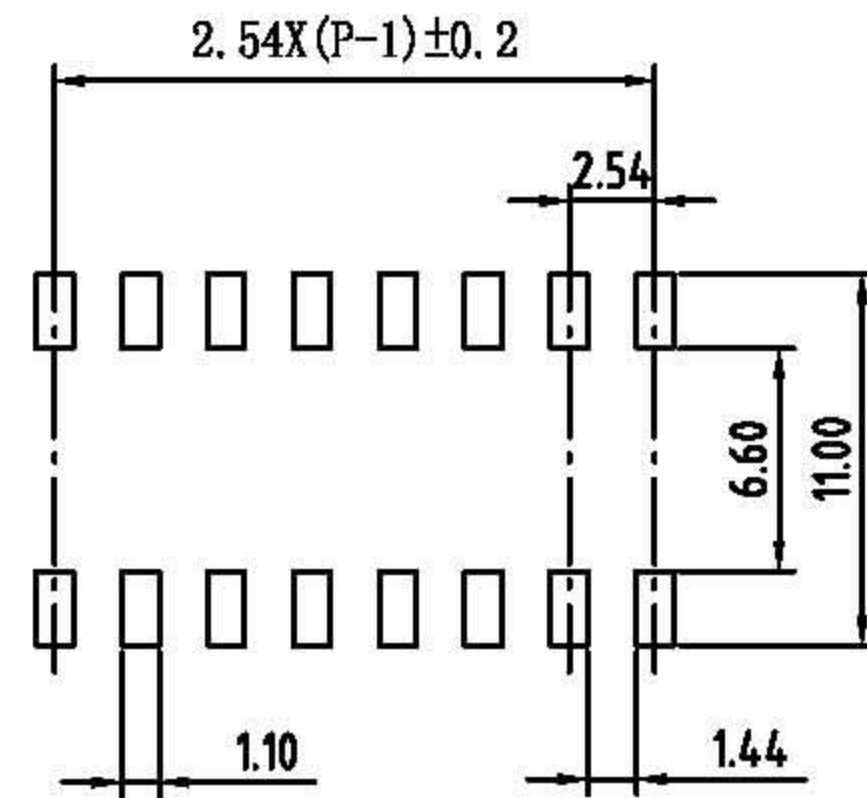
[Dimensions]



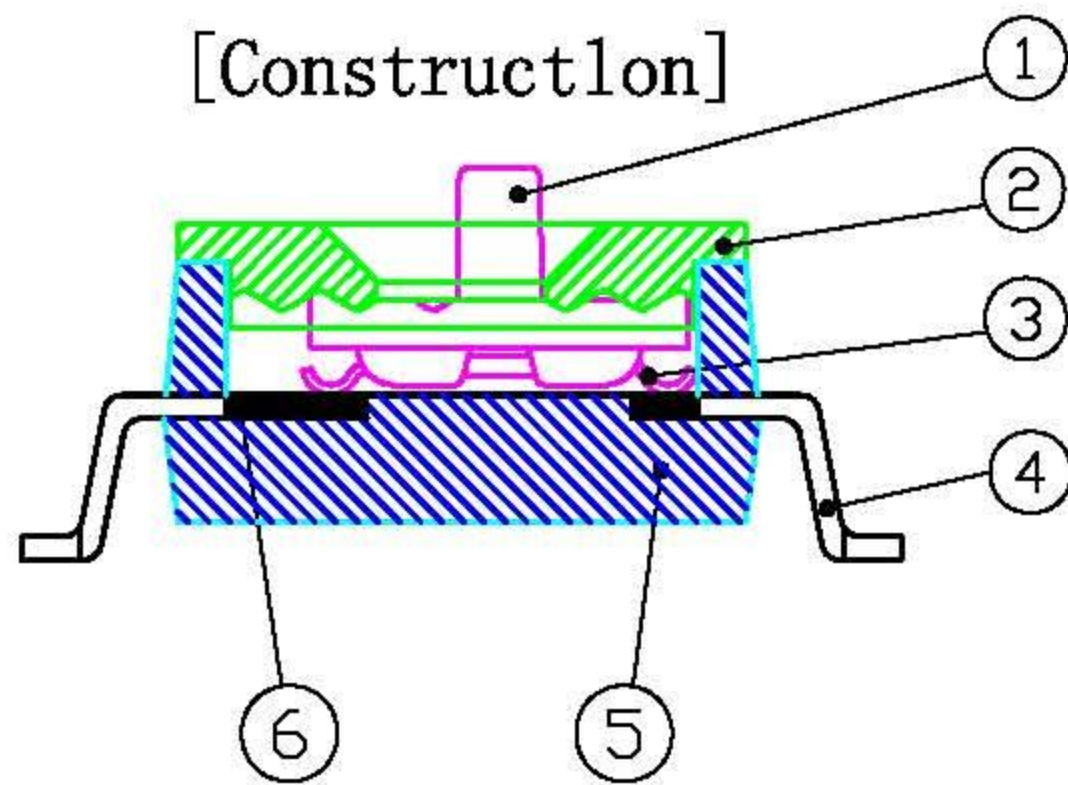
[Schematic]



[P.C.B LAYOUT]



[Construction]



Number of positions	(A) Parallelism	inch
一位【01】	2.54mm	0.1mm
二位【02】	5.08mm	0.2mm
三位【03】	7.62mm	0.3mm
四位【04】	10.16mm	0.4mm
五位【05】	12.70mm	0.5mm
六位【06】	15.24mm	0.6mm
七位【07】	17.78mm	0.7mm
八位【08】	20.32mm	0.8mm
九位【09】	22.86mm	0.9mm
十位【10】	25.40mm	1.0mm
十二位【12】	30.48mm	1.2mm

Specification

1. Operating force: 1000g Max
2. Operating Temperature: -30°C to +85°C
3. Storage Temperature: -30°C to +85°C
4. Mechanical Life: 3000cycles minimum

Number	Part Name	Material	Finished
①	Actuator	UL94 V0	White
②	Cover	UL94 V0	Black
③	Movable	Copper Alloy	3μ" Gold
④	Terminal	Brass	1μ" Gold
⑤	Base	UL94 V0	Black
⑥	Terminal Contact	Brass	3μ" Gold

广州市求索电子有限公司  
GuangZhou QiuSuo Electronic Co.;Ltd

Drawing	zhu	Date	11/10/24
Check		Ratio	1:1
Approved		Unit	mm
Versions	新图制成		

Remark:

一般公差	Product	DSIC Series
>0±0.05	P/N	DSIC[XX] (LS) GET
>1±0.2	Drawing No.	
>25±0.3		