

NOTES :

1. Specification:

- 1>.Operating force:1000gf Max
- 2>.Operating Temperature:-30° to+85°
- 3>.Storage Temperature:-40° to+85°
- 4>.Mechanical Life:3000cycles minimum

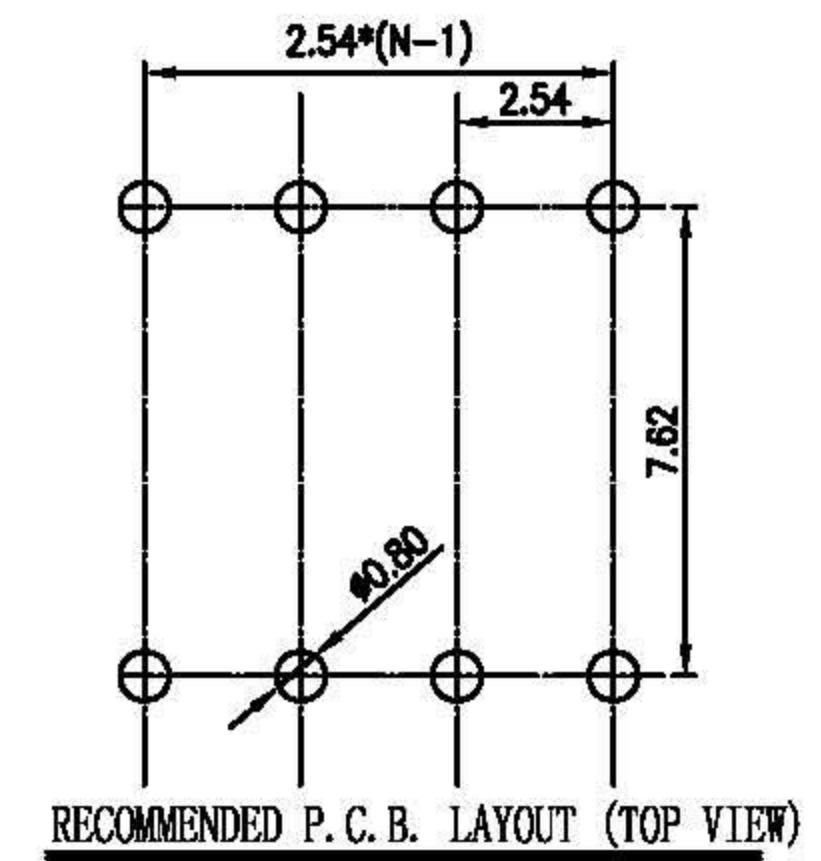
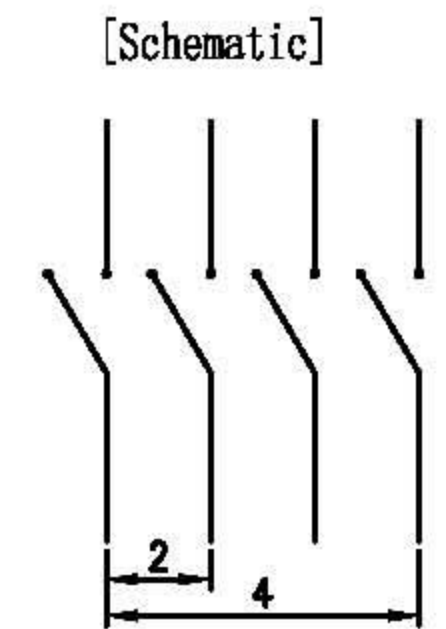
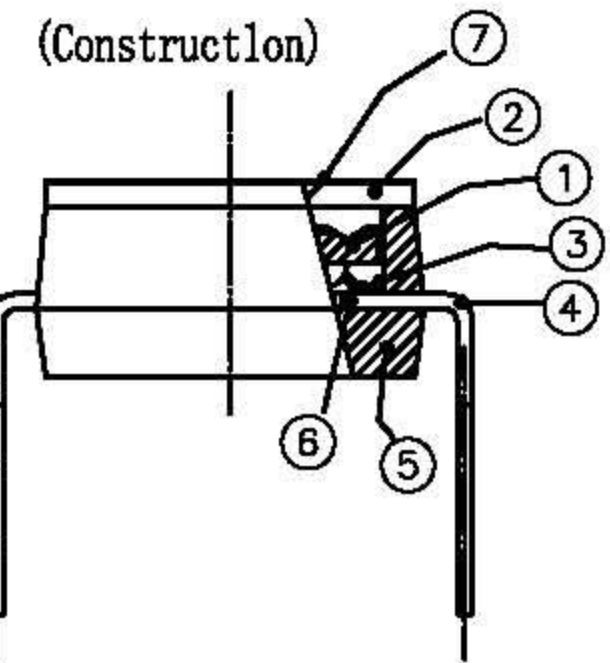
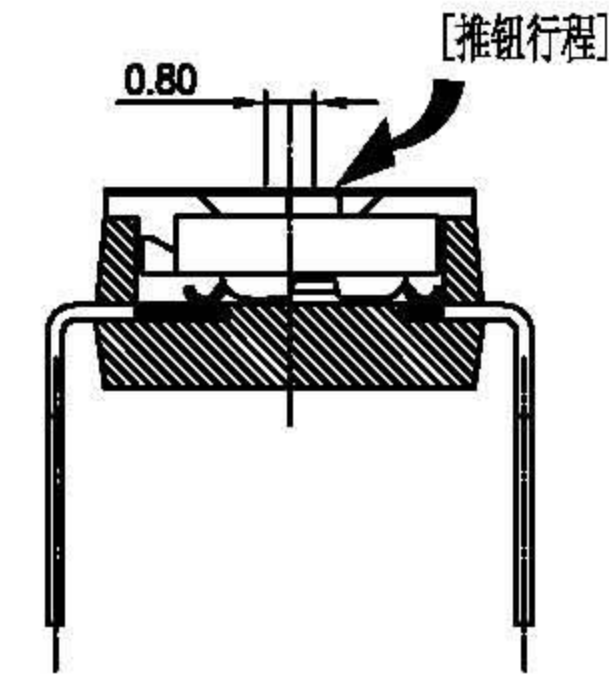
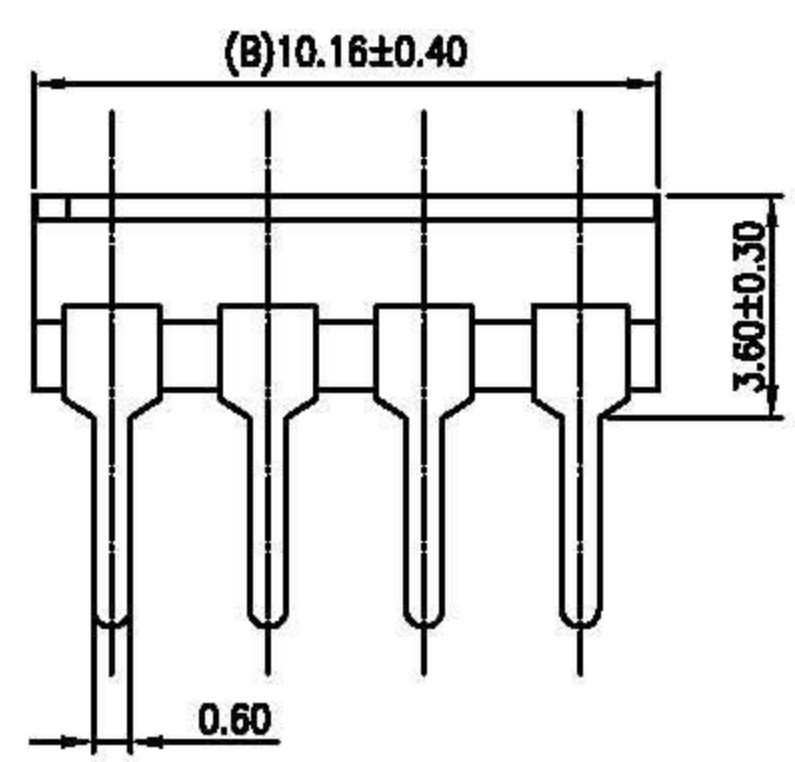
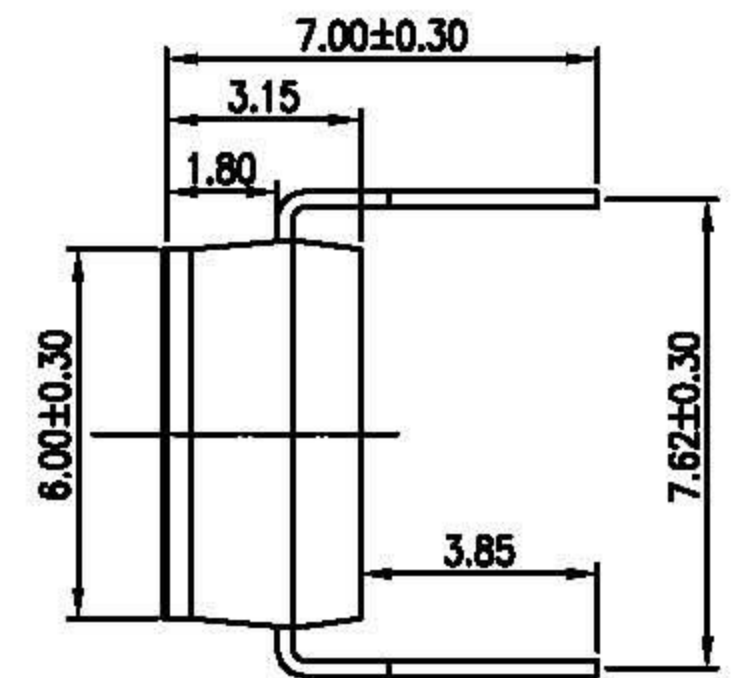
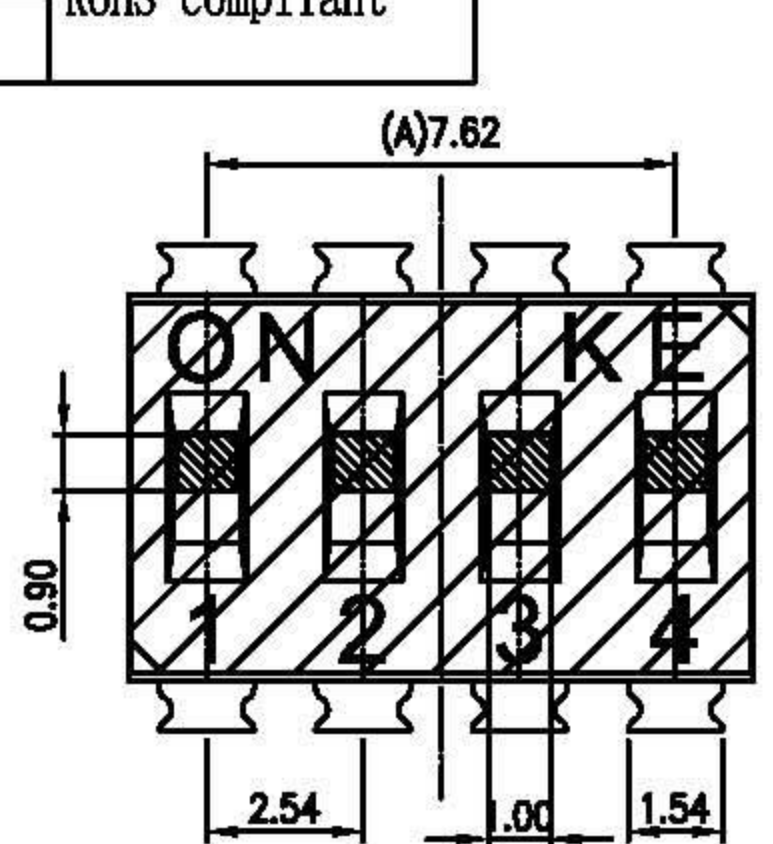
2. PLATING:

GOLD FLASH 1u"(min.) SOLDER TAIL,
3u" GOLD PLATING ON THE CONTACT AREA,
WITH 50u" NICKEL UNDERPLATING OVERALL.

3. PART NUMBER DESCRIPTION

DSIC XX T S G E T

- [包装方式: T=管装 R=Reel]
- [电镀层: E=接触部3u" G=接触部3u" /焊接部1~2u"]
- [G=镀全金 S=内金外锡]
- [脚型: S脚 / J脚 / H脚 / A脚 / Z脚]
- [T=低推贴胶 S=低推不贴胶 L=长推]
- [产品P数: 02=2P 04=4P 06=6P 08=8P 10=10P 12=12P]



Number	Part Name	Material	Finished	DIMENSIONS		DIMENSIONS		TOLERANCE UNLESS OTHERWISE SPECIFIED		INSPECTION COPY	PROJECTION	广州求索电子有限公司 GuangZhou QiuSuo Electronic Co.,Ltd
				POS.	(A)	(B)	POS.	(A)	(B)			
①	Actuator	UL94 V0	White									BY DSIC SERIES PITCH 2.54mm
②	Cover	UL94 V0	Black	2P	2.54	5.08	1P	/	2.54	.0 ± 0.25	0. ± 2°	PRODUCT FAMILY DSIC SERIES
③	Movable	Copper Alloy	3u"Gold	4P	7.62	10.16	3P	5.08	7.62	.00 ± 0.15	.0 ± 1°	PRAT NO.
④	Terminal	Brass	1u"Gold	6P	12.70	15.24	5P	10.16	12.70	.000± 0.10	.00± 0.5°	DSIC04THGET
⑤	Base	UL94 V0	Black	8P	17.78	20.32	7P	15.24	17.78	DESIGN	LU ER XIN	2012/04/12
⑥	Terminal Contact	Brass	3u"Gold	10P	22.86	25.40	9P	20.32	22.86	DRAWING		FILE NO. DSIC04THGET-A
⑦	Mylar	UL94 V0	0.05mm	12P	27.94	30.48	11P	25.40	27.94	CHECK		SIZE UNIT SCALE SHEET REV.
										APPRO.		A4 mm 2 : 1 10F1 A