



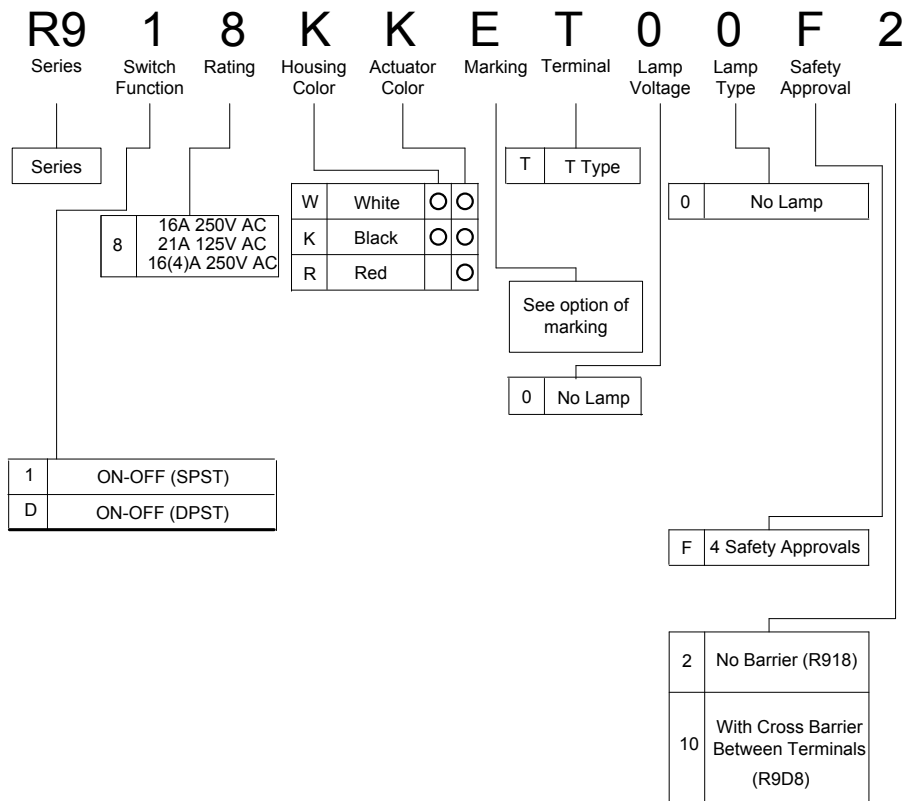
## SPECIFICATION

- Electrical Rating : 21A 125VAC 16A 250VAC (UL)  
16(4)A 250VAC (VDE)
- Mechanical life: Over 30000 cycles
- Electrical life: Over 10000 cycles
- Contact resistance: <math><20m\Omega</math>
- Insulation resistance: >1000M  $\Omega$
- High voltage resistance: >1500VAC 1 min.
- Ambient temperature: Terminal side -20 to +85°C  
Actuating side- 20 to +55°C
- Atmospheric humidity: Max.85%
- Actuating force: 4 to 8N(depends on different switch function)
- Flammability: UL94V-2
- Storage temperature: -30 to +80°C Max
- Temperature rise at the terminal: Max 30°C (UL1054)
- Solder ability of terminal: Max 350°C 3s

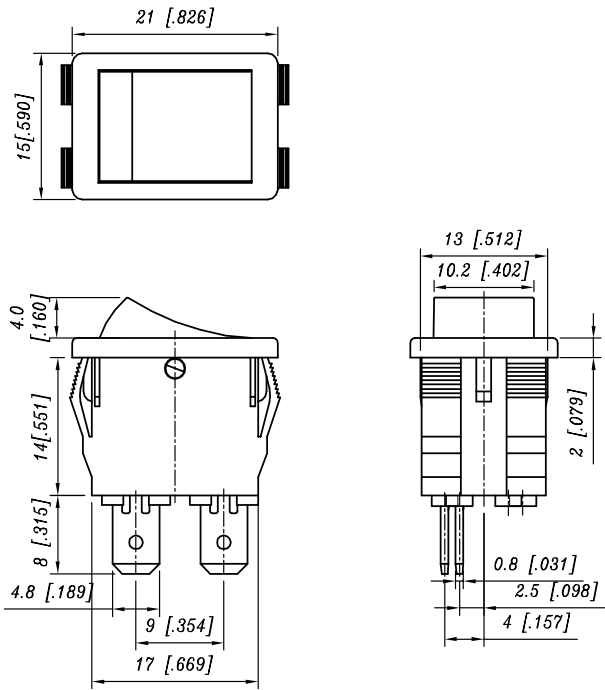
## MATERIALS

- Housing: PA 66
- Rocker: PC & PA66
- Contact: Silver alloy
- Terminal: Brass silver plated
- Lamp: No lamp used
- Movable arm: Beryllium copper

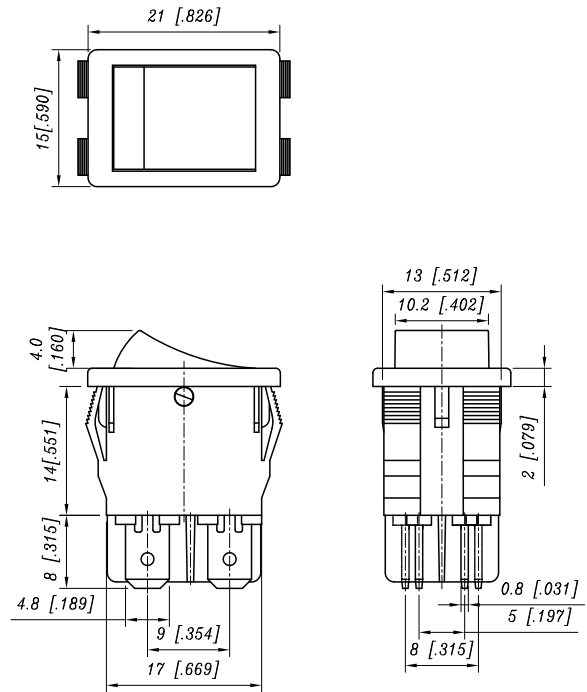
## HOW TO ORDER



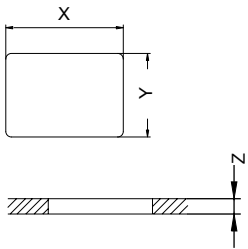
Dimension of R918



Dimension of R9D8



Panel cut out



Z	Y	X
0.7~1.25	12.8~12.9	19.2~19.3
1.25~2.0	12.8~12.9	19.3~19.4
2.0~3.0	12.8~12.9	19.5~19.6