

## SPECIFICATION

- Electrical Rating : 3A 250VAC(UL,VDE)
- Mechanical life: Over 30000 cycles
- Electrical life: Over 10000 cycles
- Contact resistance: <math><20m\Omega</math>
- Insulation resistance: >1000M $\Omega$
- High voltage resistance: >1500V 1 min.
- Ambient temperature: Terminal side -20 to +85 $^{\circ}$ C  
Actuating side -20 to +55 $^{\circ}$ C
- Storage temperature: -30 to +80 $^{\circ}$ C Max
- Atmospheric humidity: Max.85%
- Actuating force: 4 to 8N(depends on different switch function)
- Flammability: UL94 V-2
- Temperature rise at the terminal: Max 30 $^{\circ}$ C (UL1054)
- Solder ability of terminal: Max 350 $^{\circ}$ C, 3s

## MATERIALS

- Housing: PA66
- Rocker: PA66
- Contacts: Silver alloy
- Terminal: Brass silver plated
- Spring: SWC
- Movable arm: Brass silver plated

## HOW TO ORDER

MRA

Series

Series

1

Switch Function

1	ON-OFF
2	ON-ON

K

Housing Color

G	Gray
W	White
K	Black

K

Actuator Color

G	Gray
W	White
K	Black
O	Orange
R	Red
B	Blue

E

Marking

Please see option of Marking

T

Terminal Type

T	connect tab 3.7(Wide)*0.4(Thick)
R	Right angle terminal

C

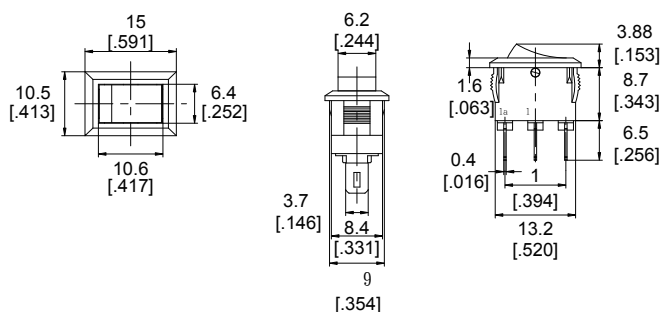
Safety Approval

C	3 Safety Approvals
E	None Approvals

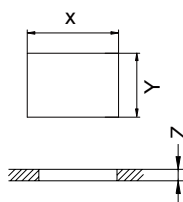
## Option of switch function

Item NO	POLES & THROWS	Rocker position		
		Left	Center	Right
MRA1	SPST	ON	None	OFF
MRA2	SPDT	ON	None	ON

## Dimension

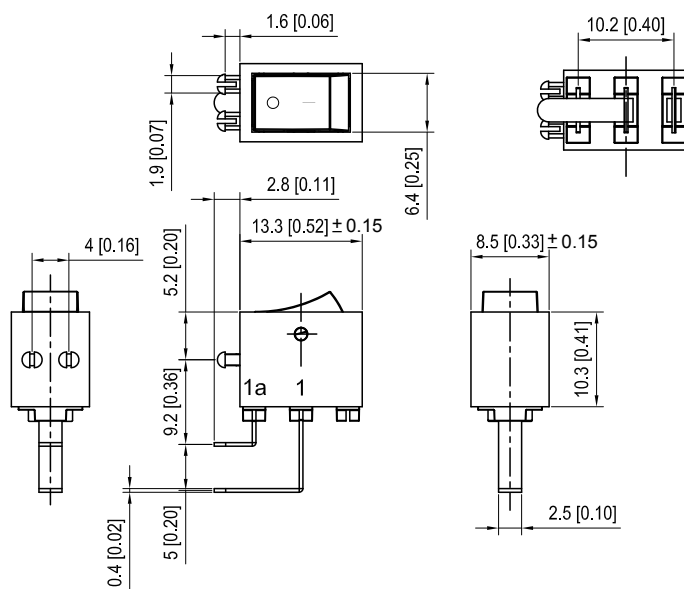


## Panel cut out



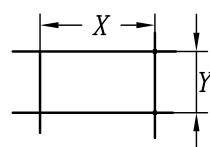
Z	Y	X
0.70~1.25	9.10~9.20	14.10~14.20
1.25~2.00	9.10~9.20	14.20~14.30
2.00~3.00	9.10~9.20	14.30~14.40

## Right angle terminal



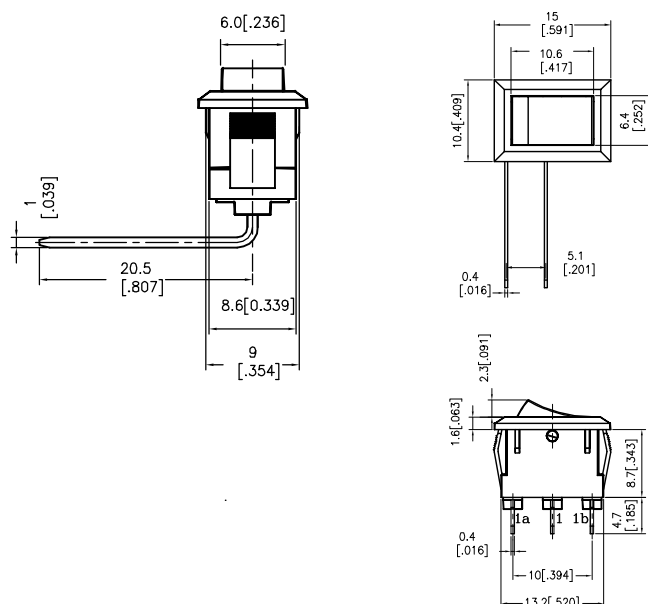
## MRA1KKFR0BCA-BR

PANEL OUT-CUT	
Y	X
8.7~8.9[.342~.350]	13.5~13.7[.531~.539]



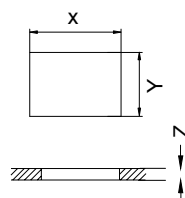
All dimensions in mm (Inch)

## Right angle terminal



## MRA2KKER0BR

Z	Y	X
0.70~1.25	9.10~9.20	13.60~13.80
1.25~2.00	9.10~9.20	13.80~14.00
2.00~3.00	9.10~9.20	14.00~14.10



All dimensions in mm (Inch)