



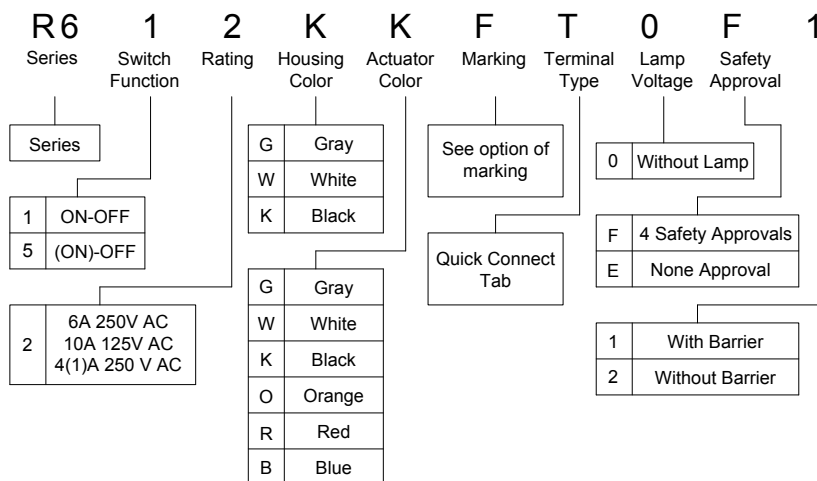
SPECIFICATION

- Electrical Rating : 6A 250VAC/10A 125VAC(UL)
4(1)A 250VAC(VDE)
- Mechanical life: Over 30000 cycles
- Electrical life: Over 10000 cycles
- Contact resistance: <math><20\text{m}\Omega</math>
- Insulation resistance: >1000M Ω
- High voltage resistance: >1500V 1 min.
- Ambient temperature: Terminal side -20 to +85°C
Actuating side -20 to +55°C
- Storage temperature: -30 ~ +85°C Max
- Atmospheric humidity: Max.85%
- Actuating force: 4N
- Flammability: UL94 V-2
- Temperature rise at the terminal: Max 30°C (UL1054)
- Solder ability of terminal: Max 350°C , 3s

MATERIALS

- Housing: PA 66
- Rocker: PA66
- Contacts: Silver Alloy
- Terminal: Brass Silver Plated
- Movable Arm: Copper Silver Plated

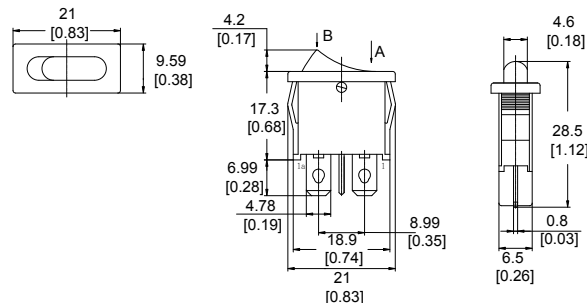
HOW TO ORDER



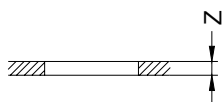
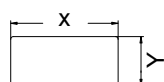
Option of switch function

| Item NO | POLES & THROWS | Rocker position ():Momentary | | |
|---------|----------------|-------------------------------|--------|-------|
| | | Left | Center | Right |
| R61 | SPST | ON | None | OFF |
| R65 | SPST | (ON) | None | OFF |

Dimension



Panel cut out



| Z | Y | X |
|-----------|-----------|-------------|
| 0.70~1.25 | 6.65~6.75 | 19.20~19.30 |
| 1.25~2.00 | 6.65~6.75 | 19.25~19.35 |
| 2.00~3.00 | 6.65~6.75 | 19.30~19.40 |