



## SPECIFICATION

- Electrical Rating : 2A 250VAC/125VAC, 6A 250VAC/10A125VAC (UL) 10A 250VAC/15A 125VAC(UL) 10(4)A 250 VAC (VDE)
- Mechanical life: Over 30000 cycles
- Electrical life: Over 10000 cycles
- Contact resistance: <math><20m\Omega</math>
- Insulation resistance: >1000M $\Omega$
- High voltage resistance: >1500VAC 1 min.
- Ambient temperature: Terminal side -20 to +85°C Actuating side- 20 to +55°C
- Atmospheric humidity: Max.85%
- Actuating force: 3 to 6N(depends on different switch function)
- Flammability: UL94V-2 & UL94V-0
- Storage temperature: -30 to +80°C Max
- Temperature rise at the terminal: 30°C (UL1054)
- Solder ability of terminal: Max 350°C 3s

## MATERIALS

- Housing: PA 66
- Rocker: PA 66 & PC
- Contacts: Silver alloy
- Terminal: Copper or brass silver plated
- Spring: SWC
- Movable arm: Copper silver plated
- Lamp: Neon lamp, Tungsten lamp, LED
- Bracket: PA66

## HOW TO ORDER

### ORDERING PROCEDURE ( PART I ): NON-ILLUMINATED

RC 1 5 K K E T 0 0 B

SERIES SWITCH FUNCTION RATING HOUSING COLOR ACTUATOR MARKING TERMINAL LAMP VOLTAGE SHAPE OF WINDOW SAFETY APPROVAL

1	ON-OFF
2	ON-ON
3	ON-OFF-ON

K (BLACK)	<input type="checkbox"/>	<input type="checkbox"/>	SEE OPTION OF MARKING
W (WHITE)	<input type="checkbox"/>	<input type="checkbox"/>	
G (GRAY)	<input type="checkbox"/>	<input type="checkbox"/>	
O (ORANGE)	<input type="checkbox"/>	<input type="checkbox"/>	
R (RED)	<input type="checkbox"/>	<input type="checkbox"/>	
N (GREEN)	<input type="checkbox"/>	<input type="checkbox"/>	
Y (YELLOW)	<input type="checkbox"/>	<input type="checkbox"/>	
B (BLUE)	<input type="checkbox"/>	<input type="checkbox"/>	
V (VIOLET)	<input type="checkbox"/>	<input type="checkbox"/>	

AVAILABLE

2	6A 250VAC
	10A 250VAC
5	15A 125VAC
	10(4)A 250VAC

0	NO WINDOW
B	UL,VDE
0	NO LAMP
T	QUICK CONNECT TERMINAL, 4.8mm WIDE, 0.8mm THICK

## HOW TO ORDER

### ORDERING PROCEDURE ( PART II ): ILLUMINATED

RC 9 5 K K D E T 1 L N B

SERIES	SWITCH FUNCTION	RATING	HOUSING COLOR	ACTUATOR COLOR	COLOR OF WINDOW	MARKING	TERMINAL	LAMP VOLTAGE	SHAPE OF WINDOW	COLOR OF LAMP	SAFETY APPROVAL
9	ON-OFF (LIGHTED)		K (BLACK)			SEE OPTION OF MARKING			L	ELLIPSE (FOR LED LAMP)	
			W (WHITE)						C	ROUND (FOR NEON OR TUNGSTEN LAMP)	
			G (GRAY)						E	NO WINDOW (FOR NEON OR TUNGSTEN LAMP)	
			O (ORANGE)								
			R (RED)								
			N (GREEN)								
			Y (YELLOW)								
			B (BLUE)								
			V (VIOLET)								
			D (RED) illu.								
			M (GREEN) illu.								
			Y (YELLOW) illu.								
			F (BLUE) illu.								
			T (TRANSPARENT) illu.								

2	6A 250VAC
5	10A 250VAC
	15A 125VAC
	10(4)A 250VAC

1	NEON LAMP (125VAC)
2	NEON LAMP (250VAC)
3	12VDC TUNGSTEN LAMP
4	24VDC TUNGSTEN LAMP
L	LED

N	TRANSPARENT NEON LAMP
F	GREEN FLUORESCENT NEON LAMP
B	BLUE FLUORESCENT NEON LAMP
T	TUNGSTEN LAMP
R	RED LED LAMP
M	GREEN LED LAMP
Y	YELLOW LED LAMP

E	(NO WINDOW)
D	(RED) illu.
M	(GREEN) illu.
Y	(YELLOW) illu.
F	(BLUE) illu.
T	(TRANSPARENT) illu.

T	QUICK CONNECT TERMINAL, 4.8mm WIDE, 0.8mm THICK
---	-------------------------------------------------

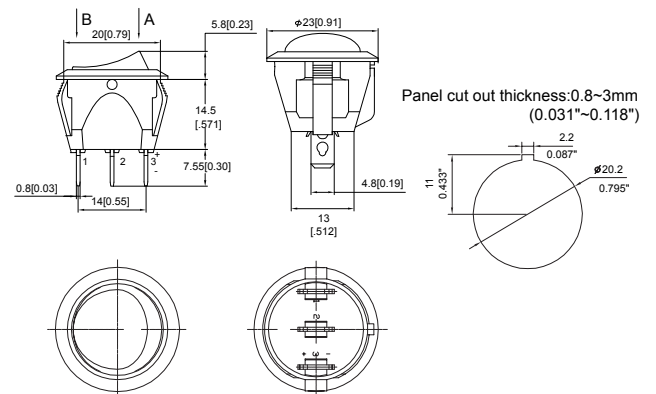
B	UL, VDE
---	---------

○ AVAILABLE

## Option of switch function

Item No	POLES & THROWS	Rocker position ( ): Momentary		
		Left	Center	Right
RC1	SPST	ON	None	OFF
RC2	SPDT	ON	None	ON
RC3	SPDT	ON	OFF	ON
RC9	SPST (With LED)	ON	None	OFF

## Dimension & Panel cut out



## Lamp Circuit

