



SPECIFICATION

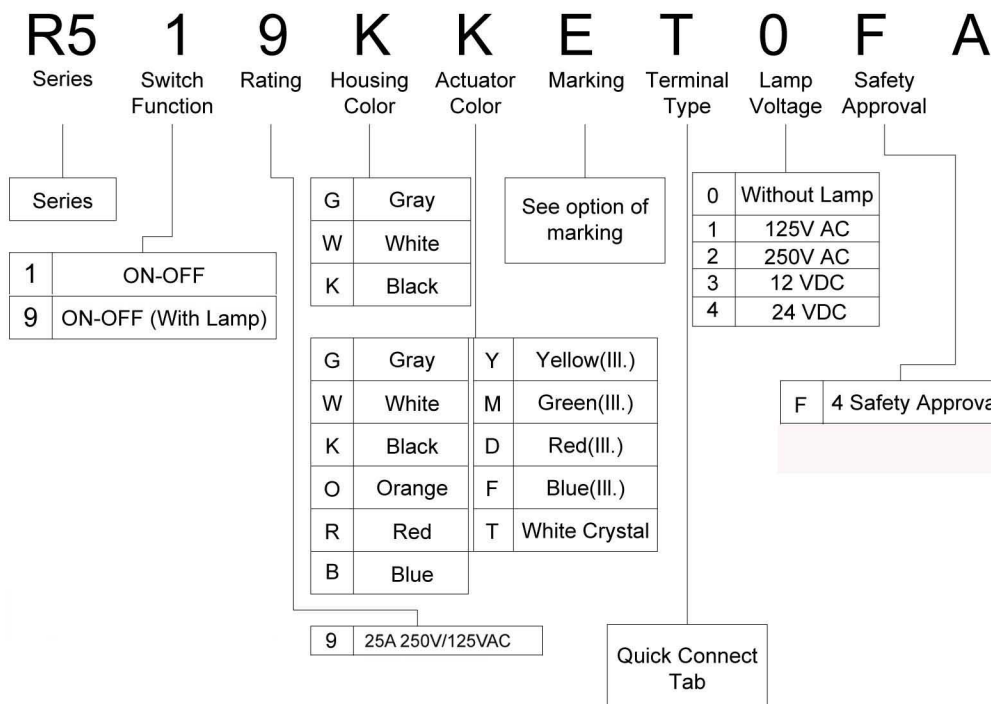
- Electrical Rating : 25A 250VAC/125VAC(UL/cUL)
25A 250VAC(TUV)
25A 250VAC(CQC)
- Mechanical life: Over 30000 cycles
- Electrical life: Over 10000 cycles
- Contact resistance: <math><20\text{m}\Omega</math>
- Insulation resistance: >1000M Ω
- High voltage resistance: >1500V 1 min.
- Ambient temperature: Terminal side -20 to +105 $^{\circ}\text{C}$
Actuating side -20 to +55 $^{\circ}\text{C}$
- Storage temperature: -30 to +80 $^{\circ}\text{C}$ Max
- Atmospheric humidity: Max.85%
- Actuating force: 4~8N(depends on different switch function)
- Flammability: UL94 V-2
- Temperature rise at the terminal: Max 30 $^{\circ}\text{C}$ (UL1054)
- Solder ability of terminal: Max 350 $^{\circ}\text{C}$, 3s

MATERIALS

- Housing: Nylon 66
- Rocker: PC & PA66
- Contacts: Silver Alloy
- Terminal: Brass Silver Plated
- Lamp: Neon Lamp, Tungsten Lamp
- Spring: SWP, SUS
- Movable Arm: Brass Silver Plated



HOW TO ORDER



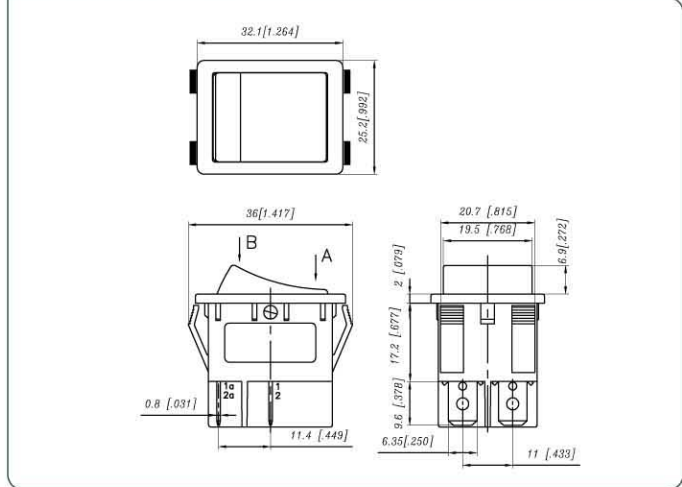
Rocker Switch R5 HIGH CURRENT Series



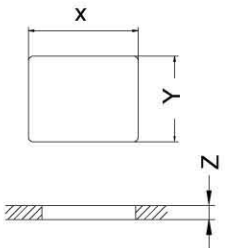
Option of switch function

Item NO	POLES & THROWS	Rocker position		
		Left	Center	Right
R51	DPST	ON	None	OFF
R59	DPST (WITH LAMP)	ON	None	OFF

Dimension



Panel cut out



Z	Y	X
0.70~1.25	22.20~22.30	30.0~30.20
1.25~2.00	22.20~22.30	30.2~30.40
2.00~3.00	22.20~22.30	30.6~30.80

Circuits for switch with lamp

- For circuits of 250V AC or 125V AC
- For circuits of 24V DC or 12V DC

