

INTRODUCTION:

Adam Tech DNR Series DIN 41612 connectors are a versatile two piece PCB connector set with features useful for many applications including connections between plug-in card and back-panel wiring, PCB to PCB attachment and peripheral connections for external interfaces. Features include a multitude of body sizes and styles with options that include selective contact loading, make and break contacts, contact lead length choices, and contact plating variations each in .100" [2.54] or .200" [5.08] centerline spacing.

FEATURES:

- Industry Standard Compatible
- Multiple Body Sizes
- Contact Plating Options
- Make and Break contacts
- .100" or .200" Centerlines

Mating Options:

Adam Tech DNR series and All industry standard DIN 41612 Connectors.

SPECIFICATIONS:

Material:

Standard insulator: PBT, glass filled, rated UL94V-0
 Optional Hi-Temp insulator: Nylon 6T, rated UL94V-0
 Insulator Color: Beige
 Contacts: Brass or Phosphor Bronze

Plating:

Gold over nickel underplate on contact area
 Tin over copper underplate on tails

Electrical:

Operating voltage: 500V AC max.
 Current rating: 2 Amps max
 Contact resistance: 30 mΩ max. initial
 Insulation resistance: 1000 MΩ min.
 Dielectric withstanding voltage: 1000V AC for 1 minute

Mechanical:

Insertion force: 20 lbs / contact max.
 Withdrawal force: 0.033 lbs / contact min
 Mating durability: Class I: 500 cycles
 Class II: 250 cycles
 Class III: 100 cycles
 Temperature Rating:
 Operating temperature: -55°C to +125°C
 Soldering process temperature:
 Standard insulator: 235°C
 Hi-Temp insulator: 260°C

PACKAGING:

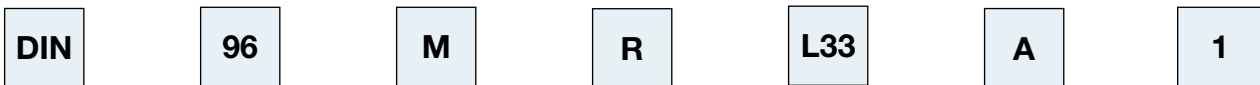
Anti-ESD plastic trays or tubes

APPROVALS AND CERTIFICATIONS:

UL Recognized & CSA Certified, File no. E224053



ORDERING INFORMATION



SERIES INDICATOR

DIN = DIN 41612 Connector

NO. OF CONTACTS

- Short body 2 rows: 16, 32
- Short body 3 rows: 16, 32, 48
- Long body 2 rows: 32, 64
- Long body 3 rows: 32, 64, 96
- Long body 4 rows: 100, 128, 160, 200, 240

OPTIONS:

- Add designator(s) to end of part number
- PF** = Press Fit Tails (pg 241)
- HT** = Hi-Temp insulator 260°C max.
- BL** = Metal board locks in mounting holes
- C1** = 30u" Gold over nickel underplate
- C2** = 15u" gold over nickel underplate

GENDER

- M** = Male, Pin Contacts
- F** = Female, Socket Contacts

MOUNTING ANGLE

- S** = Straight, PCB mount
- R** = Right Angle, PCB mount

BODY TYPE

- S22** = Short body, 2 rows A & B Loaded
- S32** = Short body, 3 rows A & C Loaded
- S33** = Short body, 3 rows A, B & C Loaded
- L22** = Long body, 2 rows A & B Loaded
- L32** = Long body, 3 rows A & C Loaded
- L33** = Long body, 3 rows A, B & C Loaded
- L44** = Long body, 4 rows A, B, C & D Loaded

PITCH

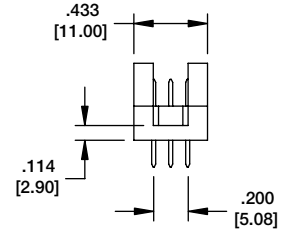
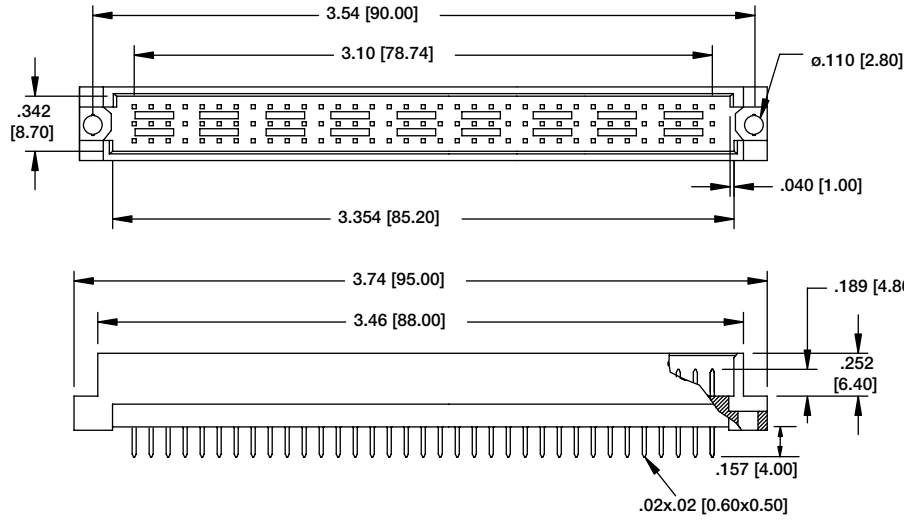
- A** = .100" [2.54 mm]
- B** = .200" [5.08 mm]

SOLDER TAIL LENGTH

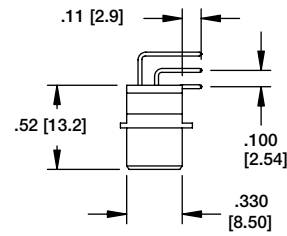
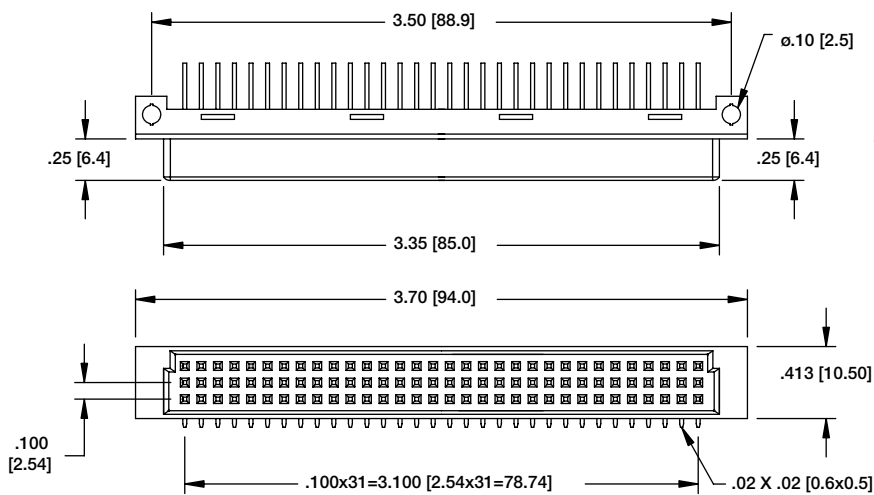
- 1** = Standard solder tail length .157"
- 2** = Wire wrap .511" Solder tail (straight female only)

INVERSE TYPE R
DNR SERIES

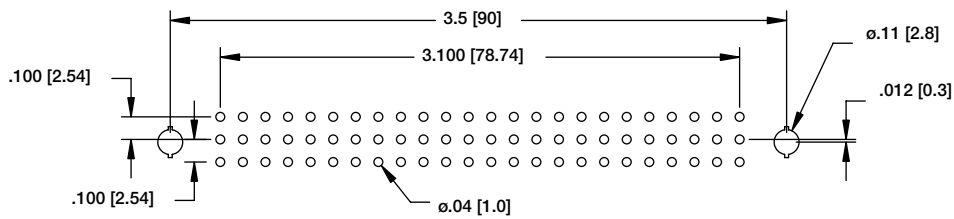
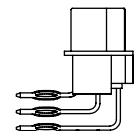
DIN-96MS-L33-A1C1
INVERSE DIN TYPE R MALE
3 ROW STRAIGHT



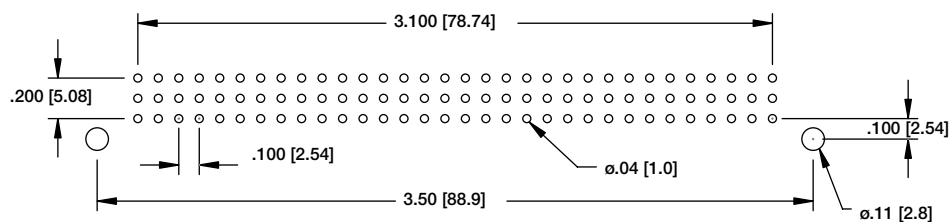
DIN-96FR-L33-A1C1
FEMALE TYPE R
RIGHT ANGLE



Press Fit Option



Recommended PCB Layout - Male

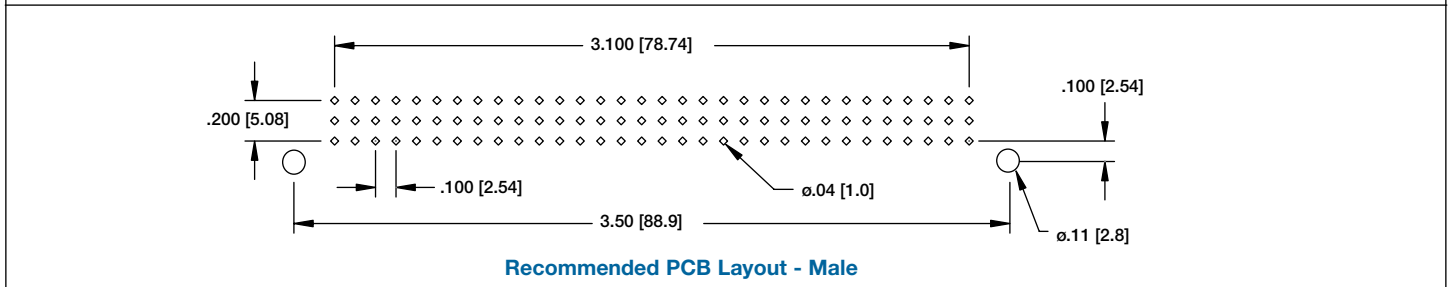
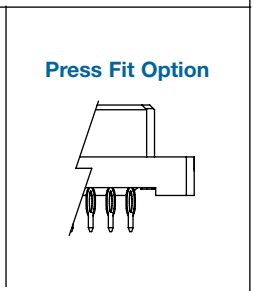
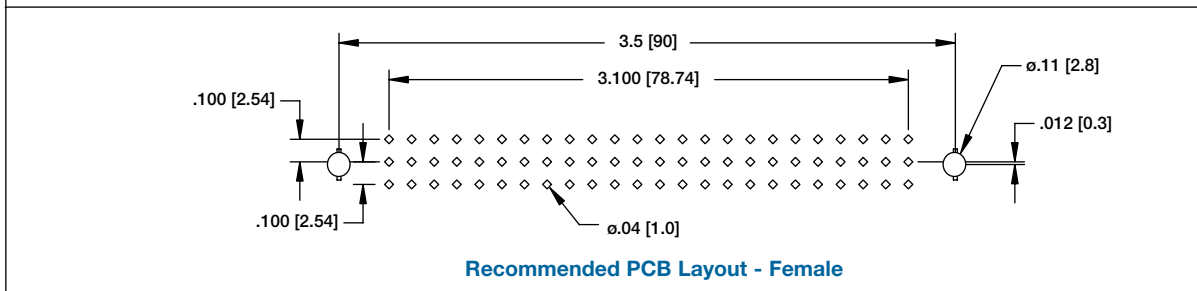
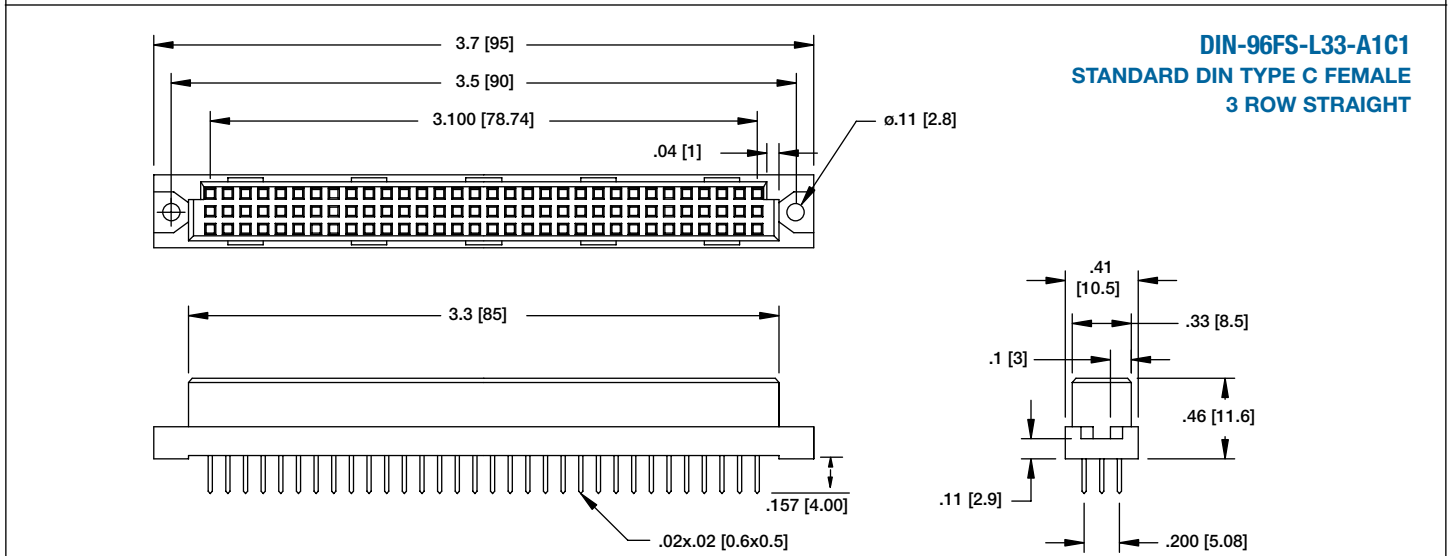
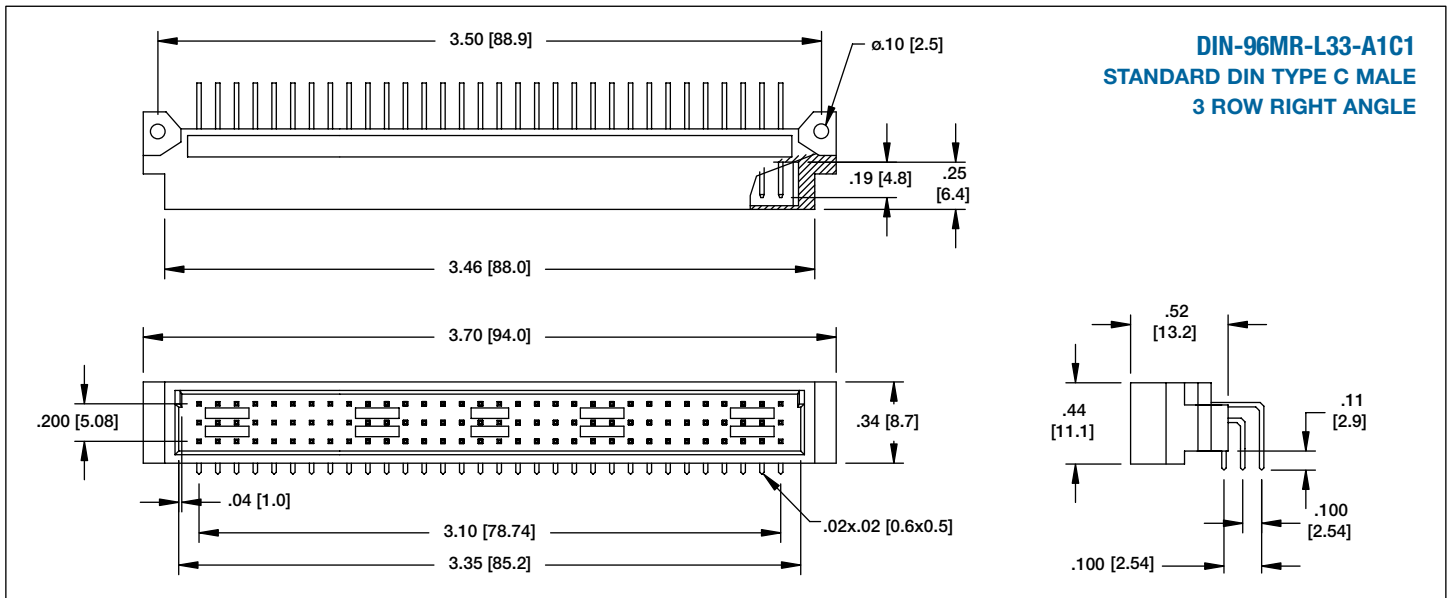


Recommended PCB Layout - Female

DIN 41612 CONNECTORS

STANDARD TYPE C

DNR SERIES

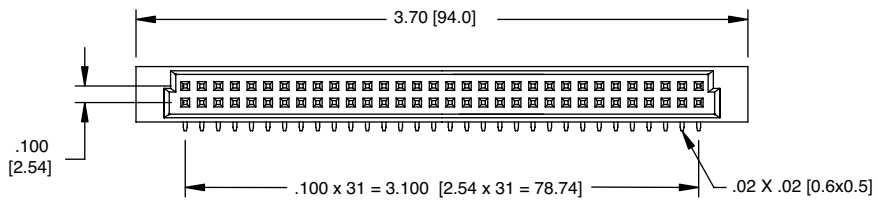
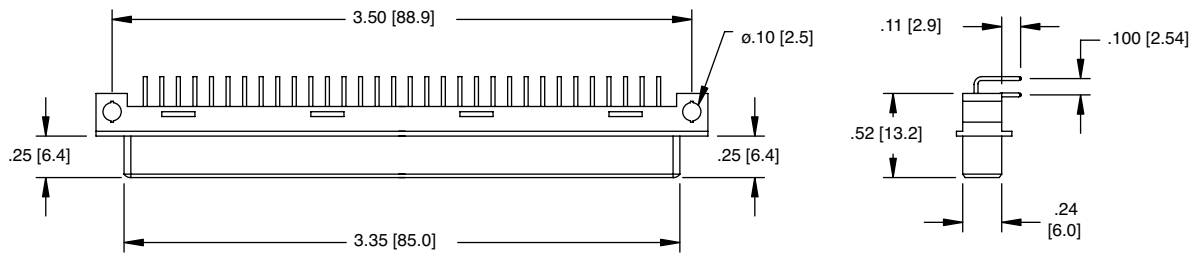
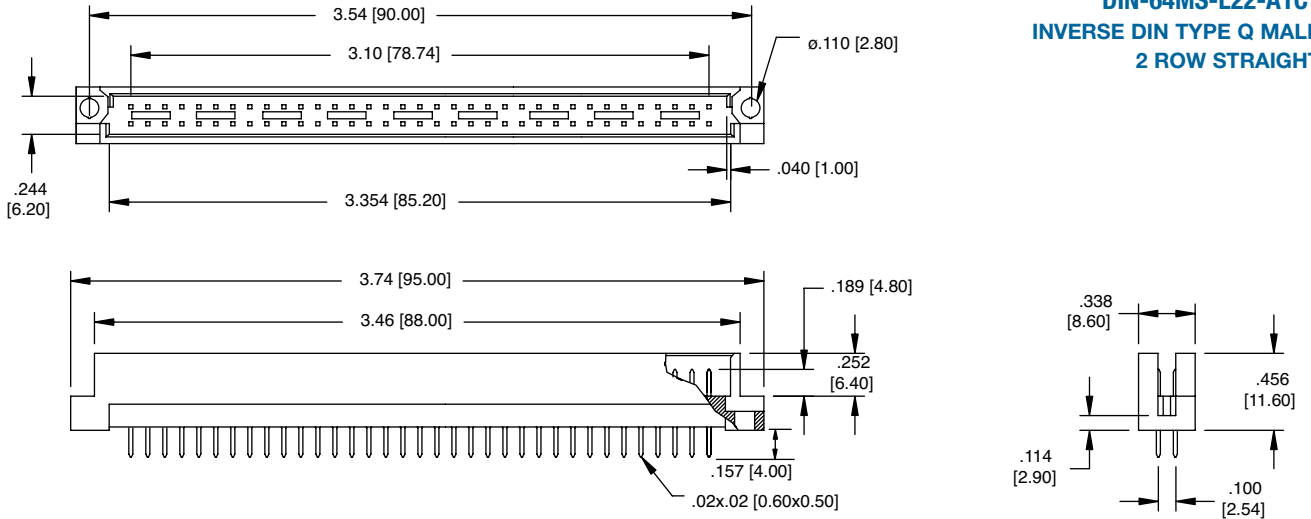


DIN 41612 CONNECTORS

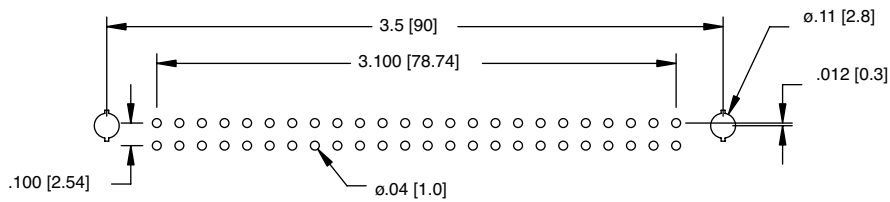
INVERSE TYPE Q

DNR SERIES

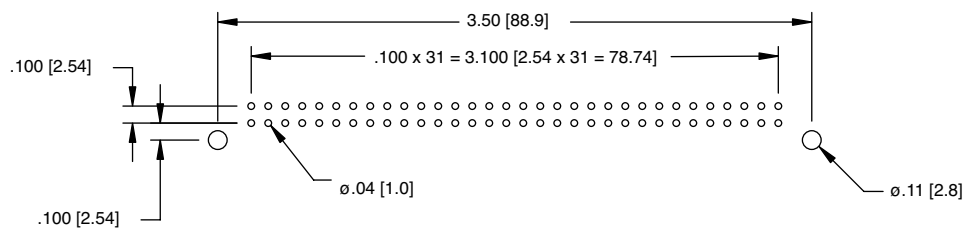
DIN-64MS-L22-A1C1 INVERSE DIN TYPE Q MALE 2 ROW STRAIGHT



DIN-64FR-L22-A3C1 INVERSE DIN TYPE Q FEMALE 2 ROW RIGHT ANGLE



Recommended PCB Layout - Male

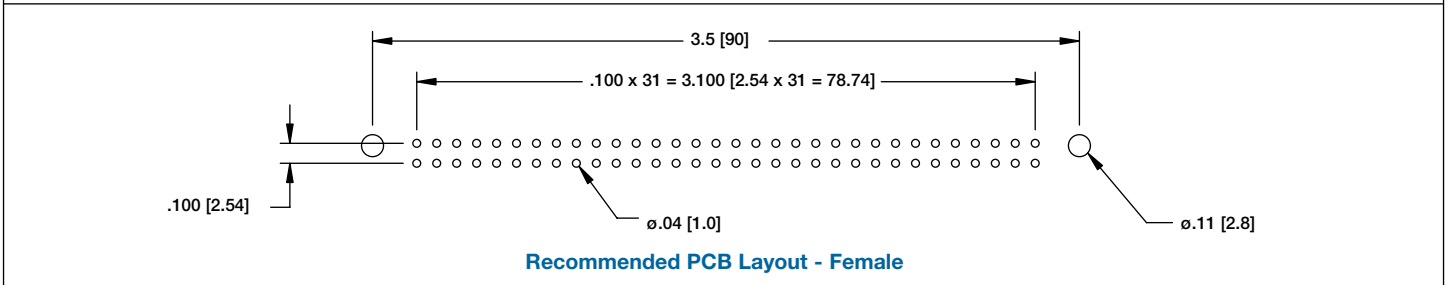
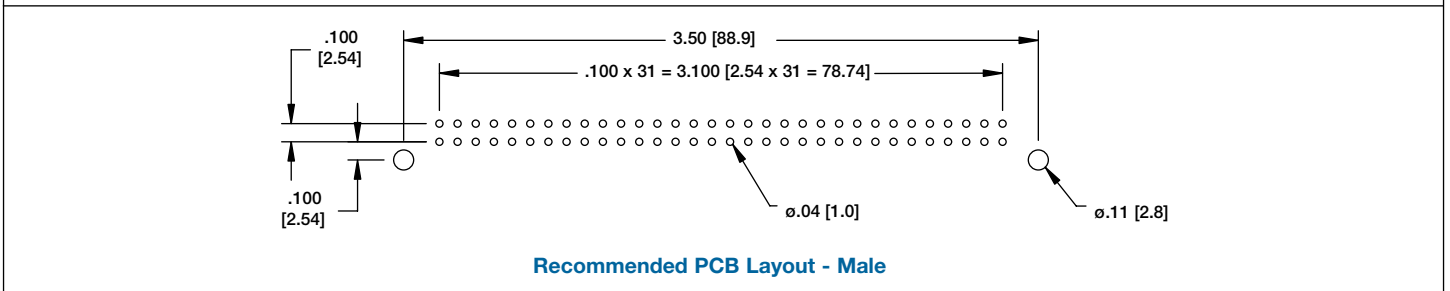
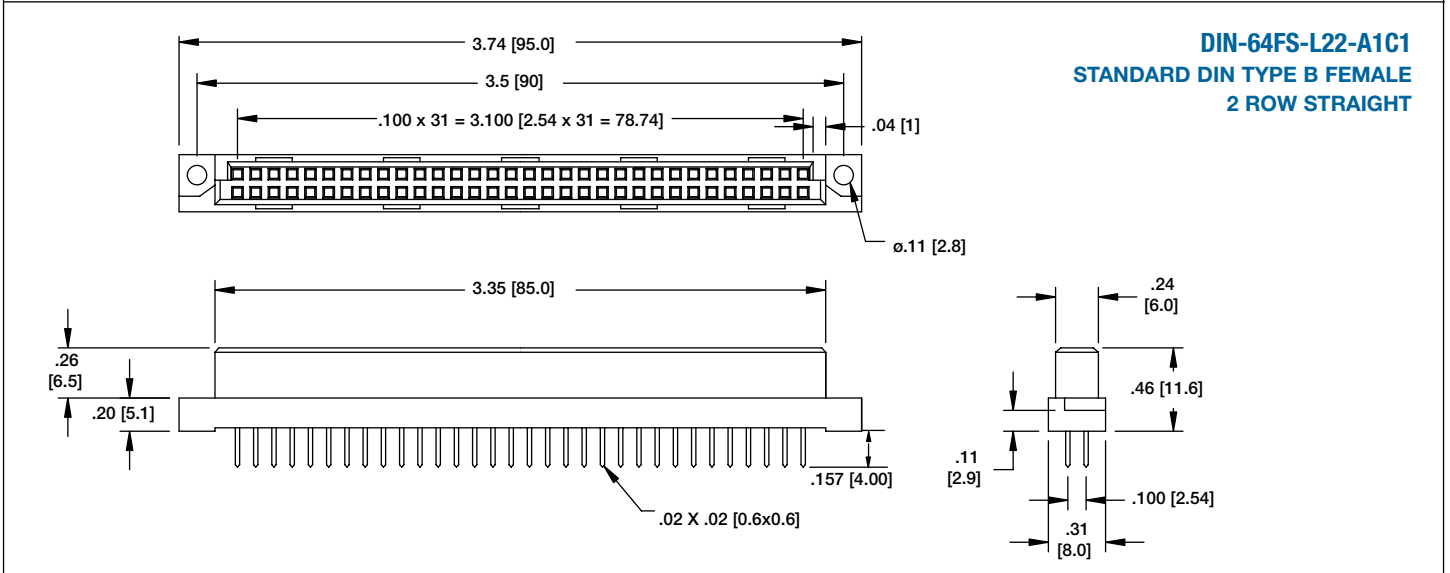
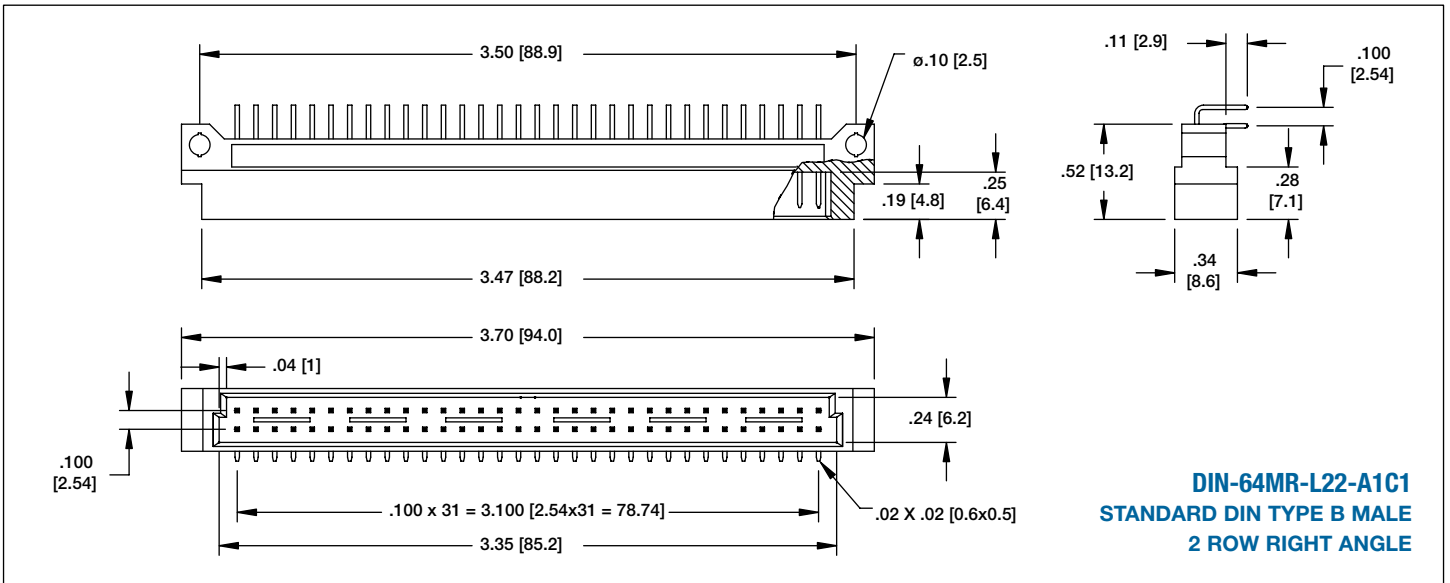


Recommended PCB Layout - Female

DIN 41612 CONNECTORS

STANDARD TYPE B

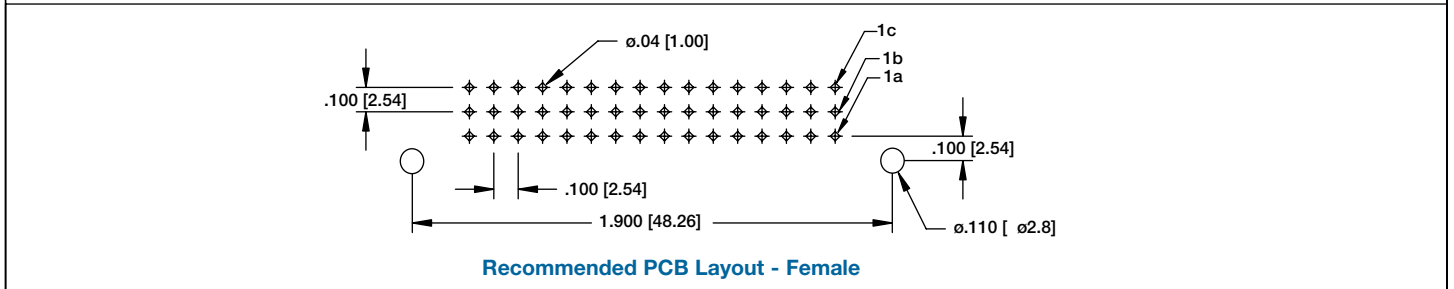
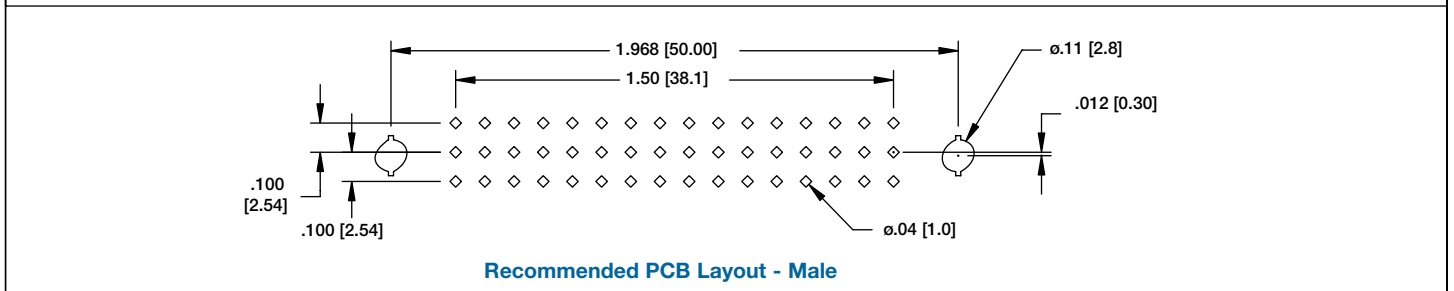
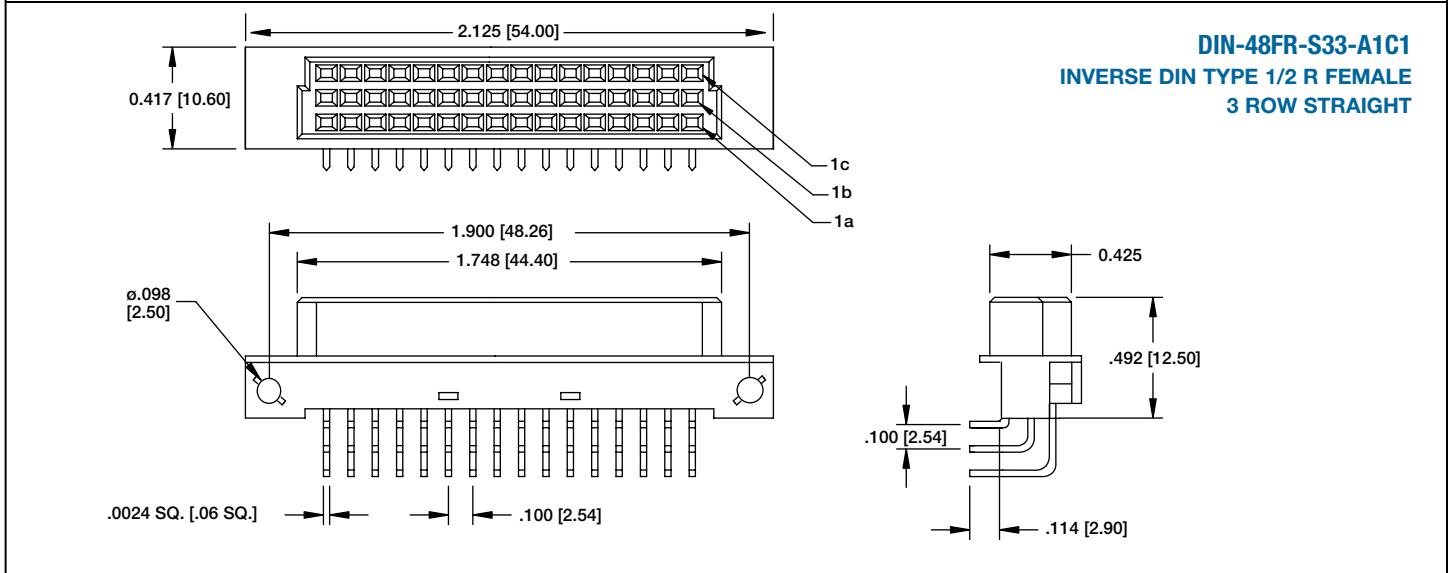
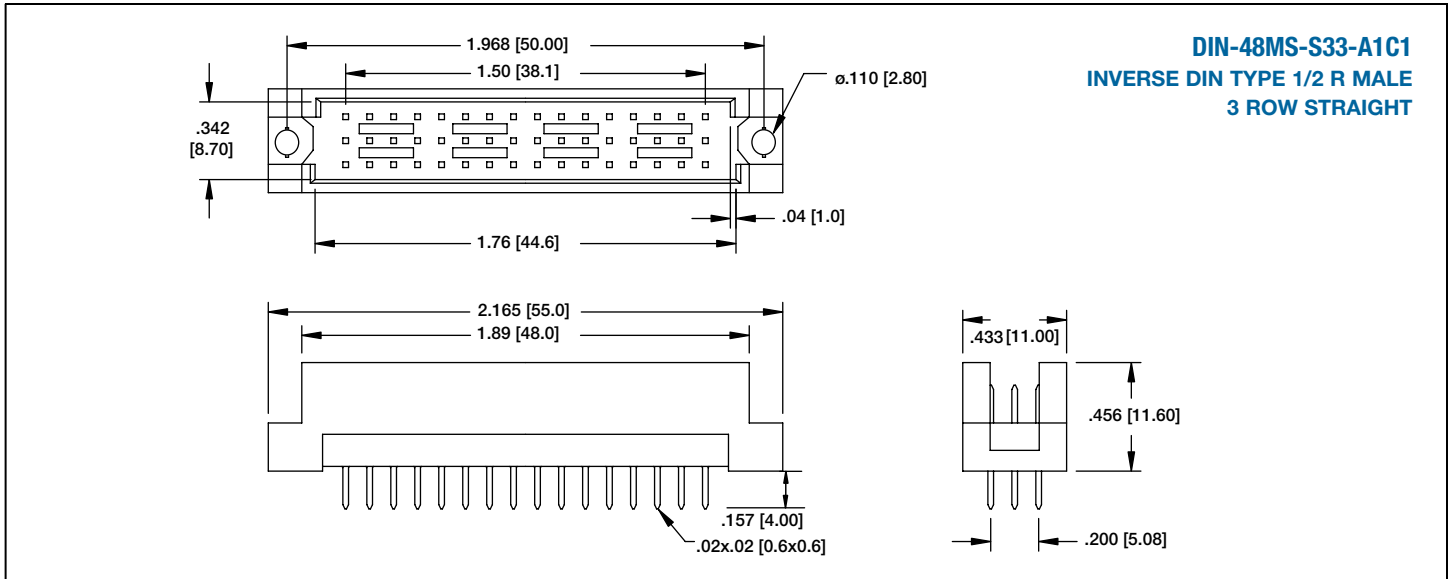
DNR SERIES



DIN 41612 CONNECTORS

INVERSE TYPE 1/2 R

DNR SERIES



DIN 41612 CONNECTORS

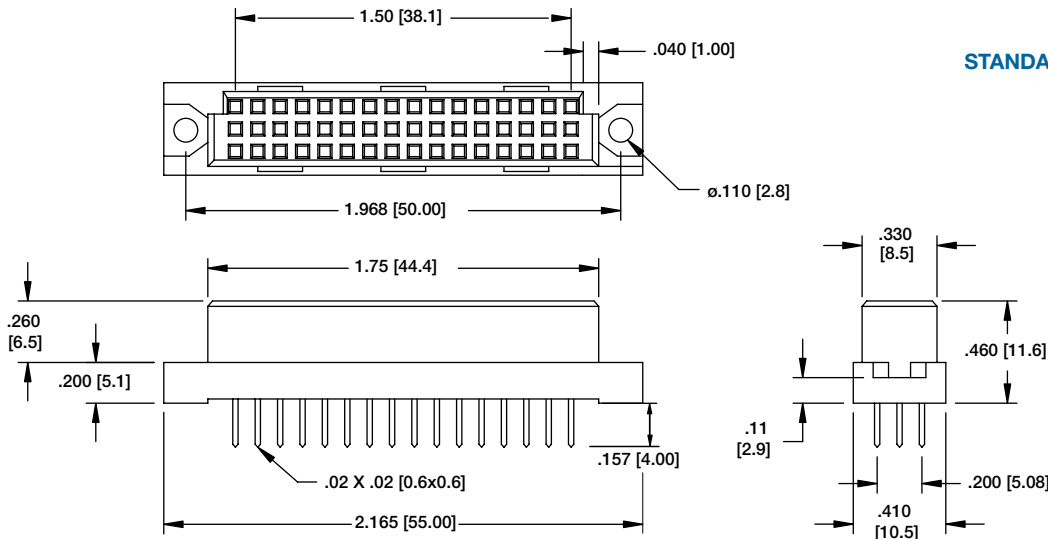
STANDARD TYPE 1/2 C

DNR SERIES

DIN-48FS-S33-A1C1

STANDARD DIN TYPE 1/2 C FEMALE

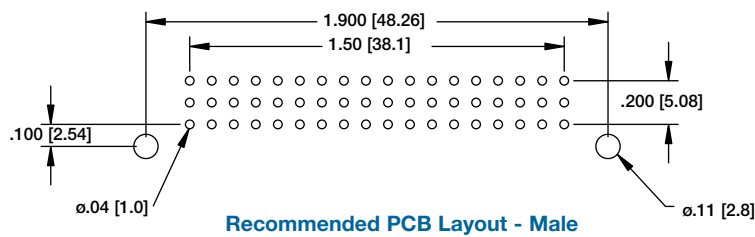
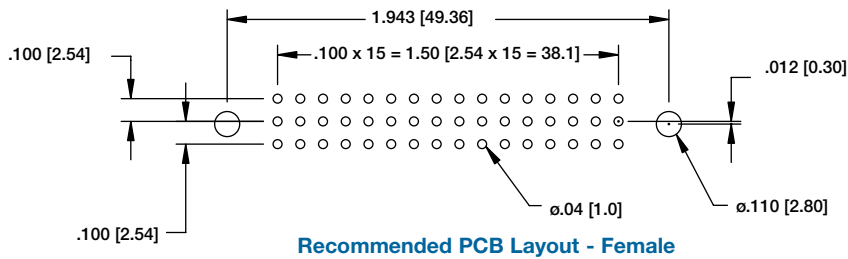
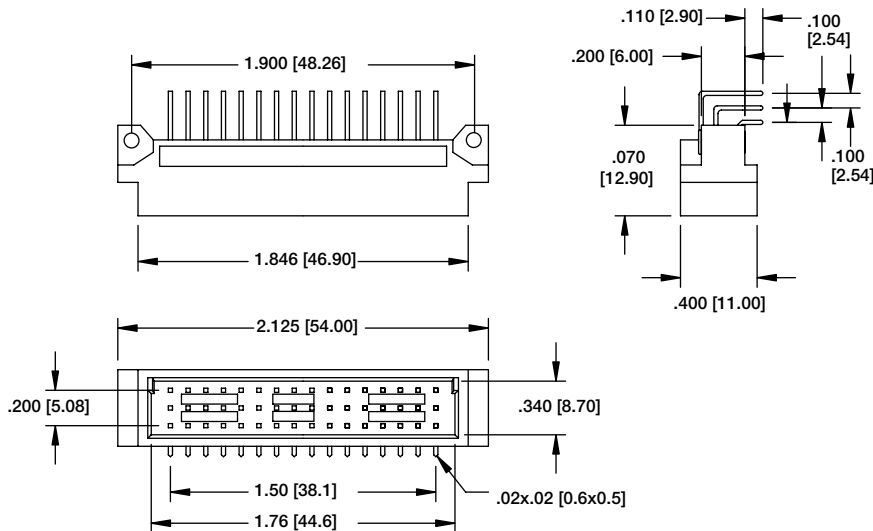
3 ROW STRAIGHT



DIN-48MR-S33-A1C1

STANDARD DIN TYPE 1/2 C MALE

3 ROW RIGHT ANGLE

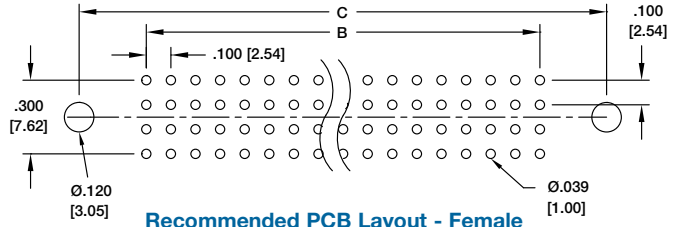
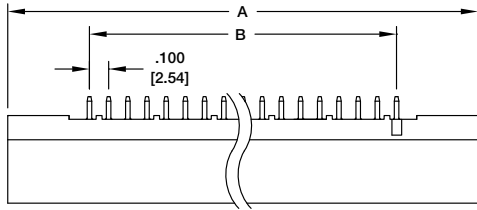


DIN 41612 CONNECTORS

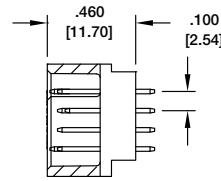
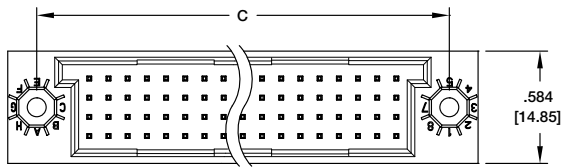
4 ROW MALE & FEMALE

DNR SERIES

DIN-240MS-L44-A1 4 ROW MALE STRAIGHT

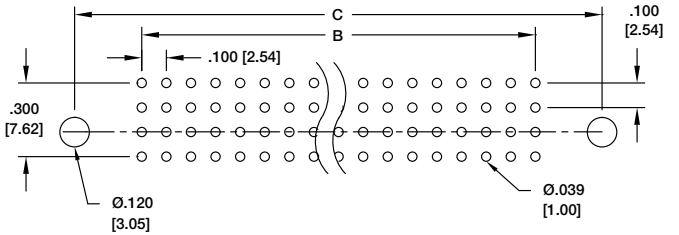
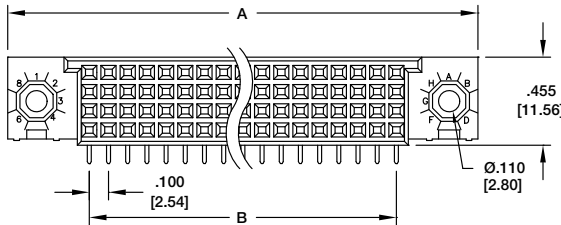


Recommended PCB Layout - Female

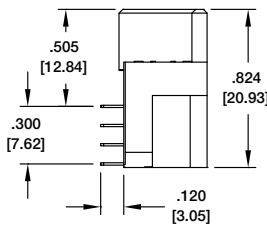
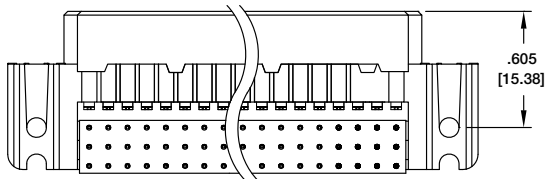


POSITIONS	DIMENSIONS		
	A	B	C
100	3.250 [82.55]	2.400 [60.96]	2.950 [74.93]
128	3.950 [100.33]	3.100 [78.74]	3.650 [92.71]
160	4.750 [120.65]	3.900 [99.06]	4.450 [113.03]
200	5.750 [146.05]	4.900 [124.46]	5.450 [138.43]
240	6.750 [171.45]	5.900 [149.86]	6.450 [163.83]

DIN-240FR-L44-A1 4 ROW FEMALE RIGHT ANGLE



Recommended PCB Layout - Female



POSITIONS	DIMENSIONS		
	A	B	C
100	3.250 [82.55]	2.400 [60.96]	2.950 [74.93]
128	3.950 [100.33]	3.100 [78.74]	3.650 [92.71]
160	4.750 [120.65]	3.900 [99.06]	4.450 [113.03]
200	5.750 [146.05]	4.900 [124.46]	5.450 [138.43]
240	6.750 [171.45]	5.900 [149.86]	6.450 [163.83]